



ascend

PRICE & SPECIFICATION GUIDE

Version: 03.15.24
prices effective April 1, 2024

DeskMakers

revisions

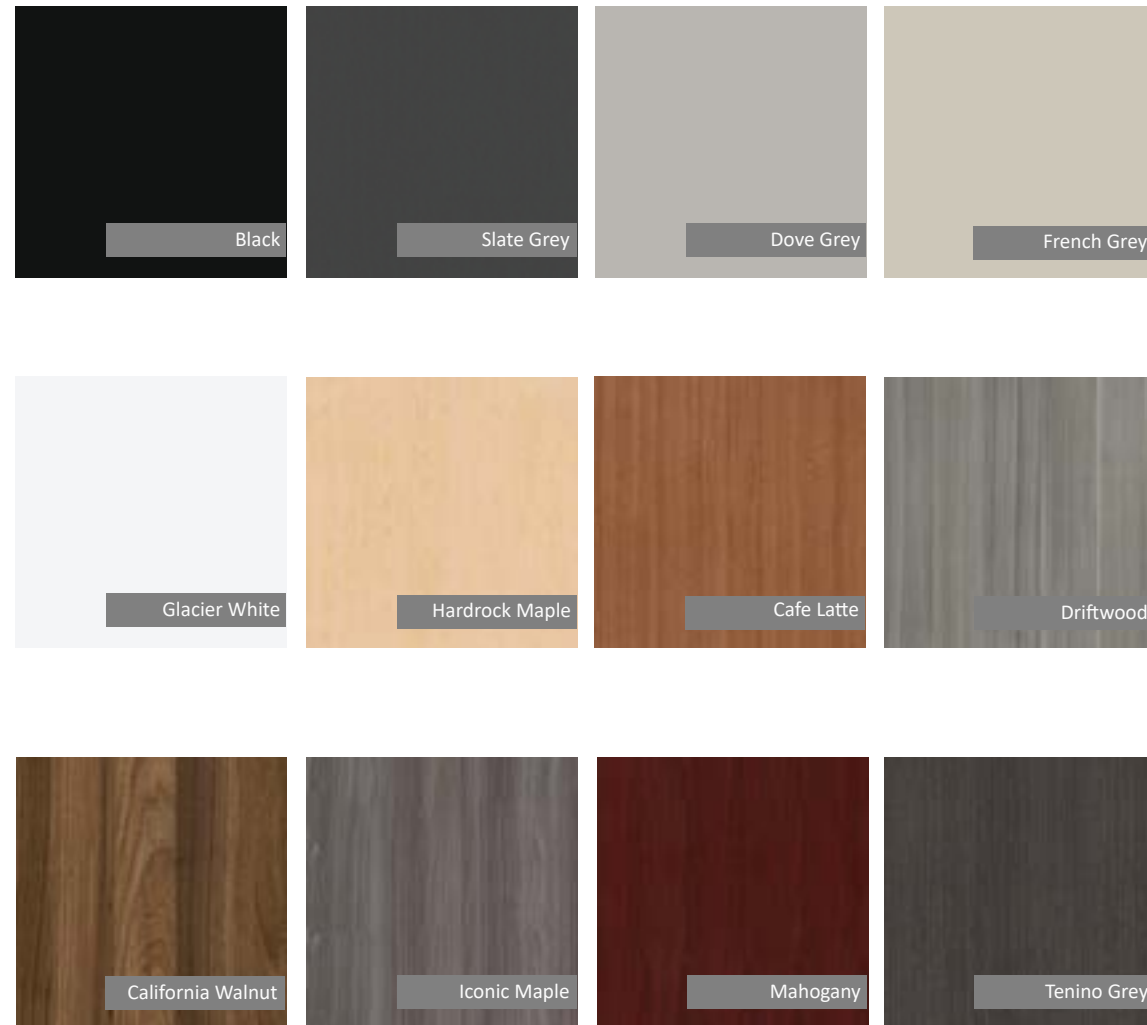
07/23/20	Changed fixed height modesty height to 21-3/4".
12/08/20	Updated base finish options.
01/01/21	Updated pricing and finishes
01/29/21	Corrected pricing on Ascend Desk Shells
03/05/21	Simplified wood edge options
04/09/21	Updated Base pricing
06/25/21	Updated finish and product details
08/19/21	Updated grommet locations
11/19/21	Added Hover Reach and Boost Bases
12/20/21	Updated pricing and finishes
03/31/22	Updated select pricing and skus
4/11/22	Corrected ML-2LEG-EXKT pricing
08/18/22	Added surcharge note
12/01/22	Updated pricing and shroud design
04/26/23	Updated shell details and Lift Base pricing
10/18/23	Updated finishes & wire management
03/15/24	Updated pricing, grommet locations

table of contents

Laminates	4-6
Pulls	7
Edges	8
Height Adjustable Base Finishes	9
Height Adjustable Base Information	10-13
Product Details	14-35
Worksurfaces	36-37
Height Adjustable Bases	38-39
Shrouds and Shells	40-41
Returns	42-44
Bridges	45
Storage	46-49
Modesty Panels	50-55
Accessories	56-57
Terms and conditions	58
Warranty	59

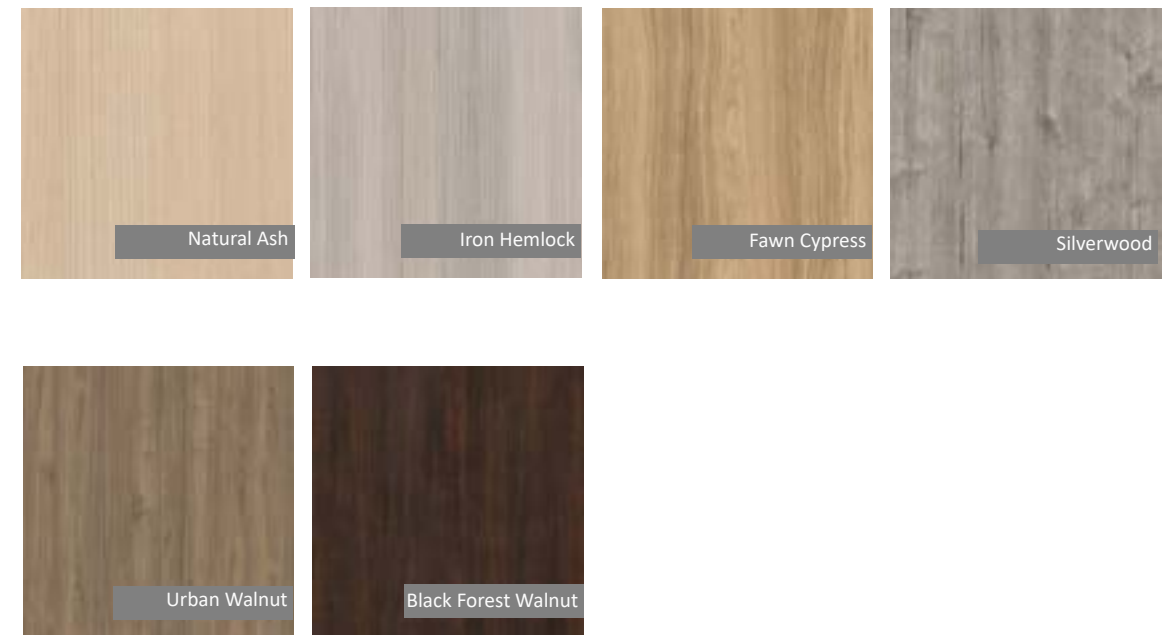
laminate finishes

standard thermofuse laminate (TFL)



Matching 2MM PVC edgebanding is available for all Standard TFL finishes shown here.
For HPL match information please visit deskmakers.com/resources/materials

premium thermofuse laminate (TFL)



Premium TFLs require a 10% upcharge. Add item code OP-TTFL-1.
Matching 2MM PVC edgebanding is available for all Premium TFL finishes shown here.
For HPL match information please visit deskmakers.com/resources/materials

laminates finishes

high pressure laminate (HPL)

Pricing shown in this price list applies only to non-premium HPLs as follows:

- Wilsonart: Solids, Woodgrains, and Abstracts in Matte (-60) finish,
- Formica: Color Portfolio, Woodgrains, and Patterns in Matte (-58) finish
- Pionite: Solids, Woodgrains, and Abstracts in Suede (N) finish
- Arborite: Solids, Woodgrains, Textures and Abstracts in Matte (CA) finish
- Nevamar: Solids, Woodgrains, Stones and Abstracts in ARP (-T) finish

A minimum charge of \$520 net per HPL color will be applied to each order.

Call customer service for pricing for all other HPLs.

Additional lead times required for HPL orders depending on material availability and order complexity.

high pressure laminate (HPL) pricing chart

Most DeskMakers product is made of Thermofuse laminate (TFL). As such, there is an upcharge for ordering product in high pressure laminate (HPL). This upcharge varies based on the product and the size of the HPL order.

Please note that only the portion of the order in HPL will be calculated to determine the level of HPL upcharges.

HPL is always available with DeskMakers standard 2MM edgebanding. Special order matching PVC 2MM edgebanding may be available for orders \$25,000 List or larger, call customer service for pricing.

Product Category	Option Code	HPL UPCHARGE
WORKSURFACES All Shapes <i>Top surface HPL</i>	OP-HPL1-25-??	60%
CASEGOODS Top HPL only, balance TFL	OP-HPL1-1-??	25%
CASEGOODS Entire Unit HPL	OP-HPL1-4-??	120%
CASEGOODS HPL Drawer Fronts only	OP-HPL1-2-??	20%
CASEGOODS Top HPL and HPL Drawer Fronts	OP-HPL1-3-??	30%

pulls

standard pulls

Pulls are included on all drawers and cabinet doors for no upcharge.



101SN



101BL



105SN



115SN



115BL



201SN



125SN*



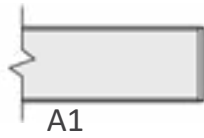
125BL*



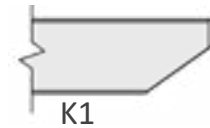
201BL

*The 125SN/BL pull is 7.5" long. On lateral file drawers and larger cabinet doors a longer 12.5" pull in the same style will be used. This may be identified as a "127SN/BL" pull on your acknowledgment.

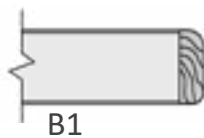
edges



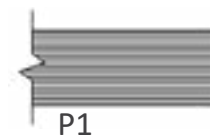
group a
1-1/8" thick top
2mm PVC edge



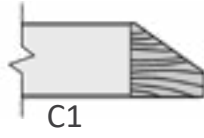
group k
1-1/8" thick MDF top
2mm PVC Knife edge



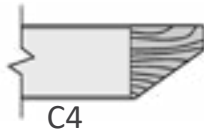
group b
1-1/8" thick top
3/8" solid wood edge



group p
1" thick top
exposed plywood edge



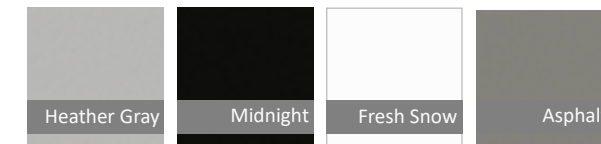
group c
1-1/8" thick top
1-1/8" solid wood edge



C4

hover lift base finishes

standard

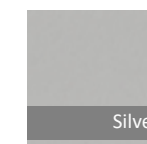


premium - 10% upcharge (OP-COLOR)

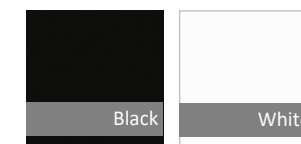


hover reach base finishes

standard

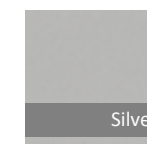


premium - 10% upcharge (OP-COLOR)

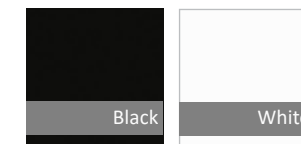


hover boost base finishes

standard



premium - 10% upcharge (OP-COLOR)



Hover Lift Height Adjustable Bases



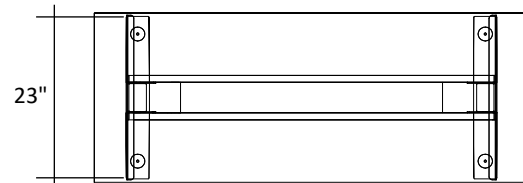
Features

Number of Legs	2 or 3
Height Range w/ Worksurface	27" - 46"
Number of Stages	2
Worksurface Lengths	48" - 84" in 6" increments
Worksurface Depths	24", 30" & 36"
Lifting Capacity	250 lbs (includes worksurface)
Adjustment Speed	1.5"/second
Cord Length	118" long
Finishes	4 standard, 8 at upcharge
Frame	Size Specific
Column Shape	Square
Safety	Anti-Collision Option

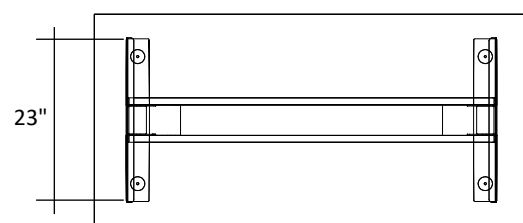
Foot Length

A 60" long worksurface is shown in examples below. The base will 9" shorter that the top, with a 4 1/2" inset on each side when centered.

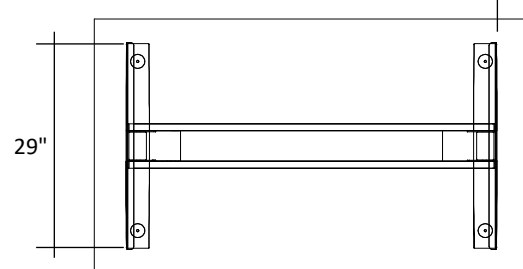
24" Deep Worksurface



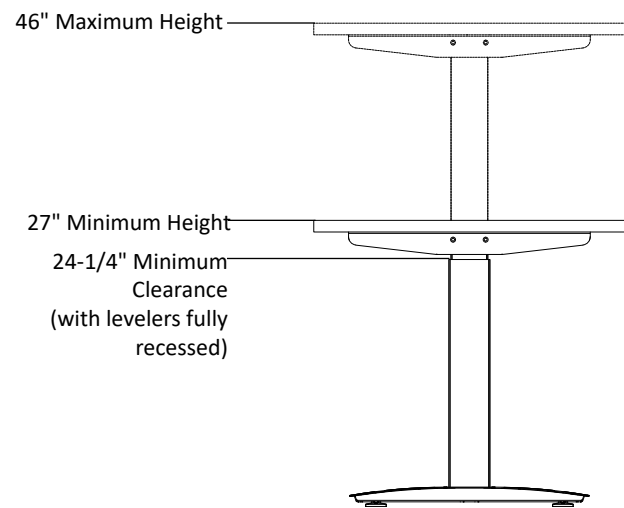
30" Deep Worksurface



36" Deep Worksurface



* 29" foot may also be specified for 30" worksurfaces.



Standard Up/Down Control



- Standard on Hover Lift bases
- Simple Up/Down function
- After 2 minutes defaults control box to standby mode

Programmable Digital Control



- Add-on option for Hover Lift bases : AC-CNTL-DIGI for \$249
- Save 4 different positions
- LCD display
- Set in centimeters or inches
- After 2 minutes defaults control box to standby mode

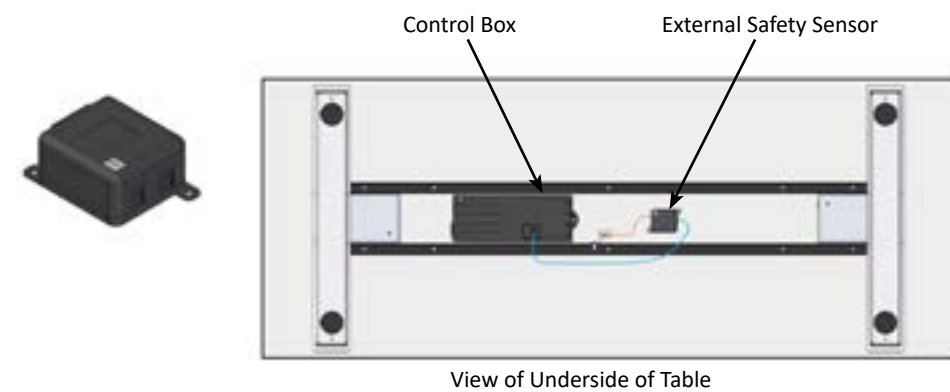
Locking Casters

The Hover Lift height adjustable bases are available with optional locking casters. Casters increase the overall table height by 2".



External Safety Sensor

An External Safety Sensor is able to detect even the smallest deformation. When a collision or restriction of movement is detected, the External Safety Sensor triggers the motors to move in the opposite direction to release the pinched obstacle. The External Safety Sensor can be added to the Hover Lift bases after installation. AC-DRBK-OMT for \$332.



All Hover electric height adjustable bases are equipped with Intelligent System Protection (ISP). ISP is used to protect base motors, control boxes and internal components from damage resulting from collision or restriction of movement. The ISP is not intended for protection of the end user, and is less sensitive than the External Safety Sensor.

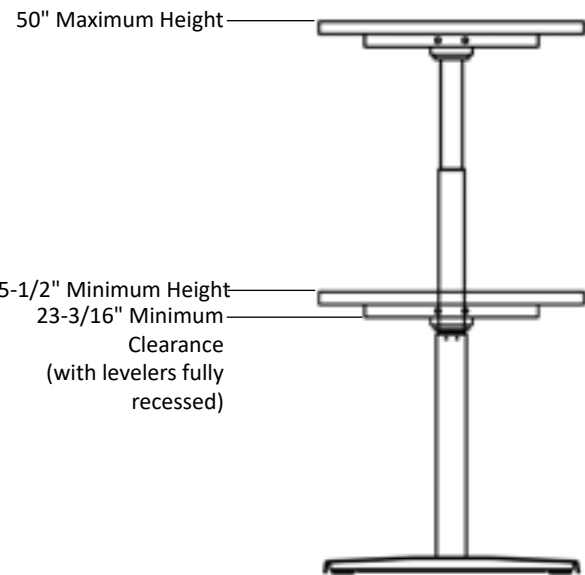
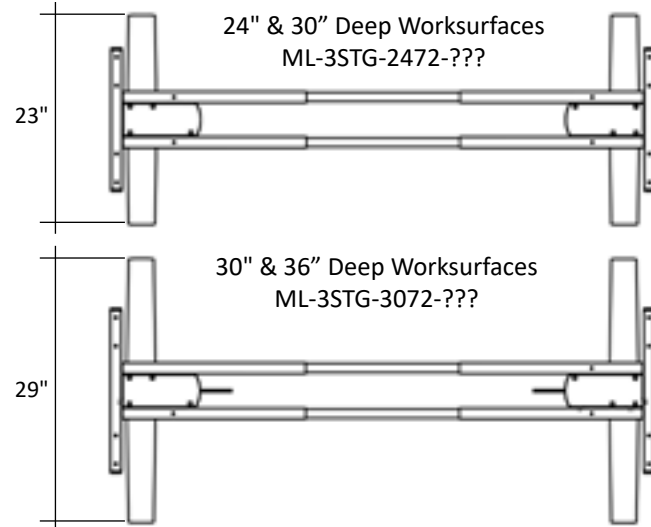
Hover Reach Height Adjustable Bases



Features

Number of Legs	2 or 3
Height Range w/ Worksurface	22.75" - 49"
Number of Stages	3
Worksurface Lengths	42" - 72" (Up to 84" w/ ext. kit)
Worksurface Depths	24", 30" & 36"
Lifting Capacity	220 lbs (includes worksurface)
Adjustment Speed	1.4"/second
Cord Length	72" long
Finishes	Silver
Frame	Adjustable
Column Shape	Square
Safety	Anti-Collision Built-in

Foot Length



Quick Install Legs

- Ships in 1 box
- No tools required for assembly.

Programmable Digital Control

- Save 3 different positions
- LCD display
- Set in centimeters or inches
- Power standby mode
- Standard with Hover Reach



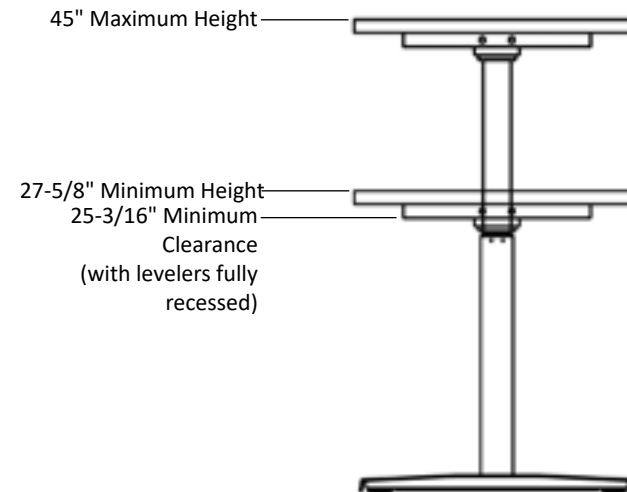
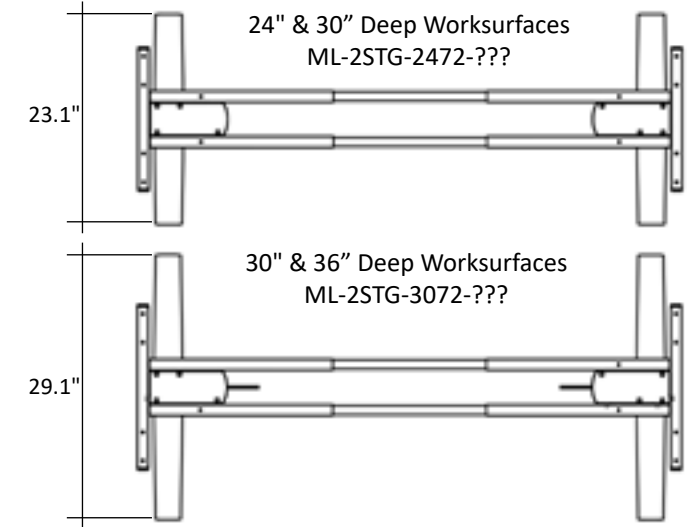
Hover Boost Height Adjustable Bases



Features

Number of Legs	2
Height Range w/ Worksurface	27.75" - 47.4"
Number of Stages	2
Worksurface Lengths	42" - 72" (Up to 84" w/ ext. kit)
Worksurface Depths	24", 30" & 36"
Lifting Capacity	200 lbs (includes worksurface)
Adjustment Speed	1.42"/second
Cord Length	72" long
Finishes	Black, White, Silver
Frame	Adjustable
Column Shape	Square
Safety	Anti-Collision Built-in

Foot Length



Quick Install Legs

- Ships in 1 box
- No tools required for assembly.

Programmable Digital Control

- Save 3 different positions
- LCD display
- Set in centimeters or inches
- Power standby mode
- Standard with Hover Boost



The Ascend height adjustable caseloads partially conceal the height adjustable mechanism supporting the quiet and easy transition to standing enabling the healthful rotation of working postures. Using height adjustability enables the user to adjust the worksurface height to the working posture that fits best. Multiple styles are available with Ascend. Private offices can be configured in a variety of ways to meet many functional and aesthetic requirements.

base shroud



Base shrouds create a new aesthetic, while still coordinating with other DeskMakers collections.

inline desk shell



Inline desk shell coordinates with the Convergence styling.

breakfront desk shell



Breakfront desk shell coordinates with the SPX styling.

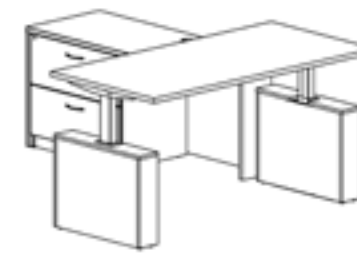
breakfront desk shell



Adding a worksurface with reveal on the breakfront desk shell coordinates with the Milano styling.

configurations

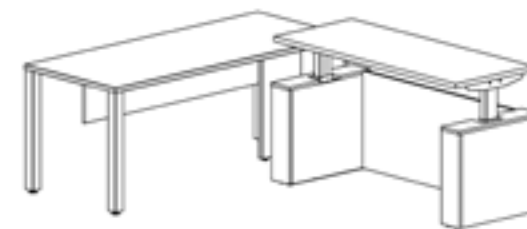
Multiple configurations can be created using base shrouds, storage in combination with components from Convergence, SPX, Milano, Synapse and Teamworx collections.



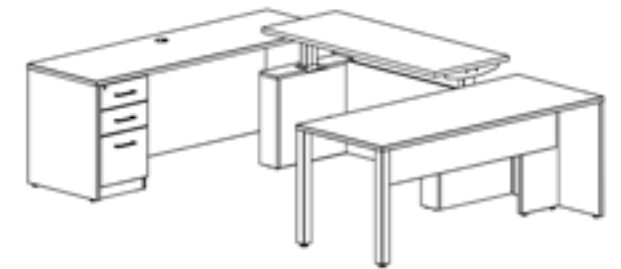
desk



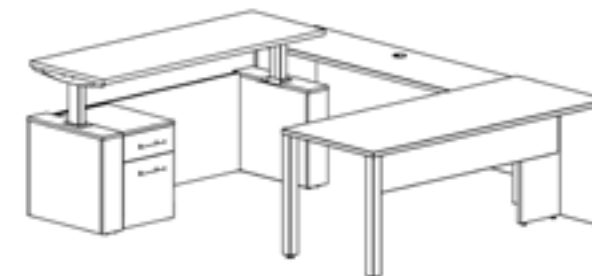
peninsula



return



bridge



credenza

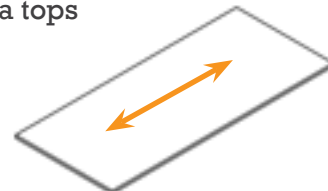
Worksurfaces

finishes

- 1-1/8" thick thermally fused laminate (TFL) with multiple edge options
- 1-1/8" thick high pressure laminate (HPL) with multiple edge options
- 1" thick HPL with exposed plywood core
- 1-1/8" thick HPL with MDF core and PVC knife edge

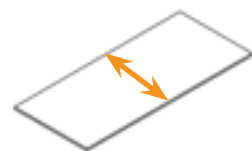
grain direction

desk and credenza tops

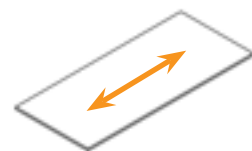


all size tops

return and bridge tops



24" to 60" tops



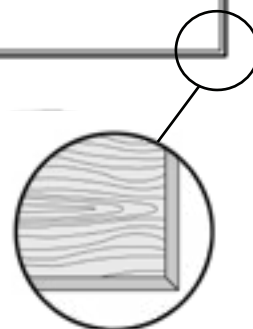
tops over 60"

user edges both with and without solid wood edges

Wood edges will increase the overall width and length of the worksurface.



Shading indicates user edges.



corner detail

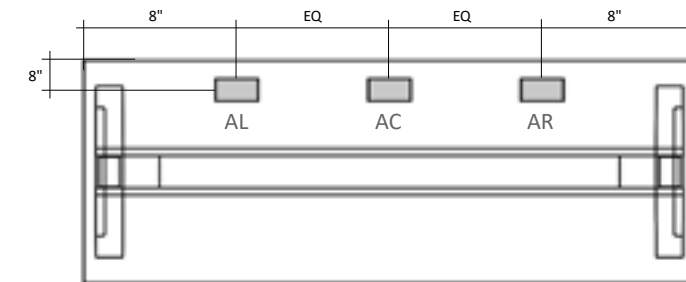
A visible frame will be visible on the surface of the table top when solid wood edges are specified. Color will be matched to table top finish, however slight differences in shade and grain may be evident.

Solid wood edges are not available in white, black or solid grey.

grommet locations

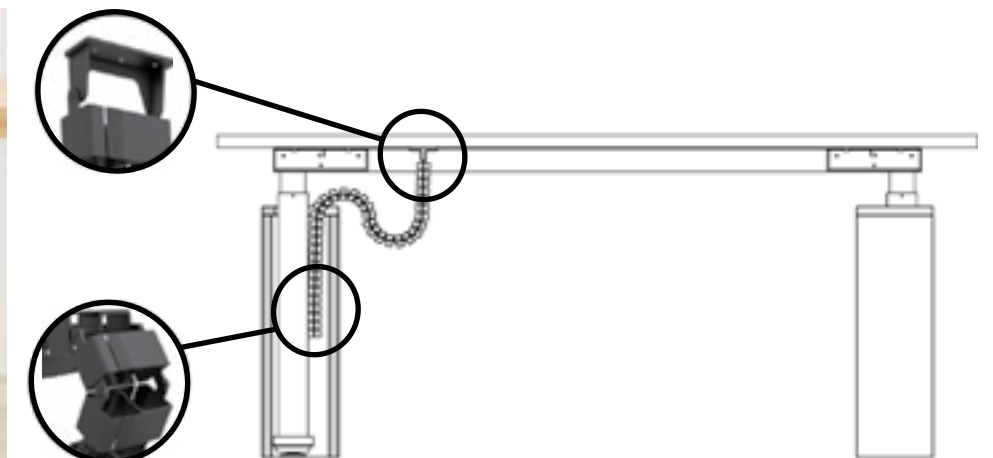
grommet locations

Three grommet locations are available on Ascend worksurfaces. Grommets are placed 8" on center from the edge opposite the user edge. "AC" is centered on the length of the worksurface. "AL" and "AR" (middle left and middle right) are inset 8" from either side. This placement is appropriate for 2 1/2" round, or 2 1/4" x 3 3/4" rectangular pass-through grommets. For other electrical options please contact the design and quoting department.



cable spine wire manager

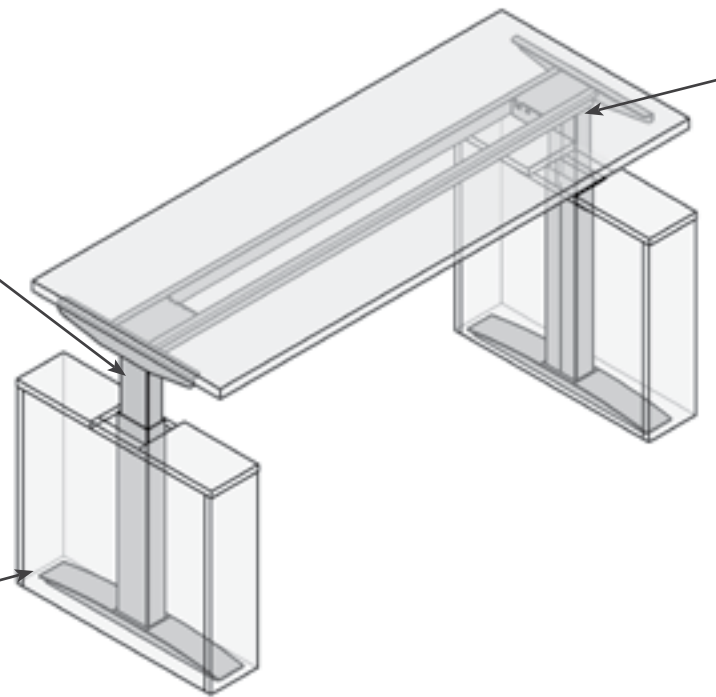
The cable spine wire manager is 50 inches long, with removable links. Includes a desk mount bracket and metal base plate that can be detached for maximum flexibility. Available in black, white and silver. Links are 1-1/4" by 2-1/2".



base shrouds

A shroud is an aesthetic cover which conceals the major portion of the leg and the T-foot to provide a sophisticated aesthetic alternative to the standard exposed metal base set. All components are specified separately. Base shrouds are available in both standard and premium TFL with 2mm PVC edgebanding.

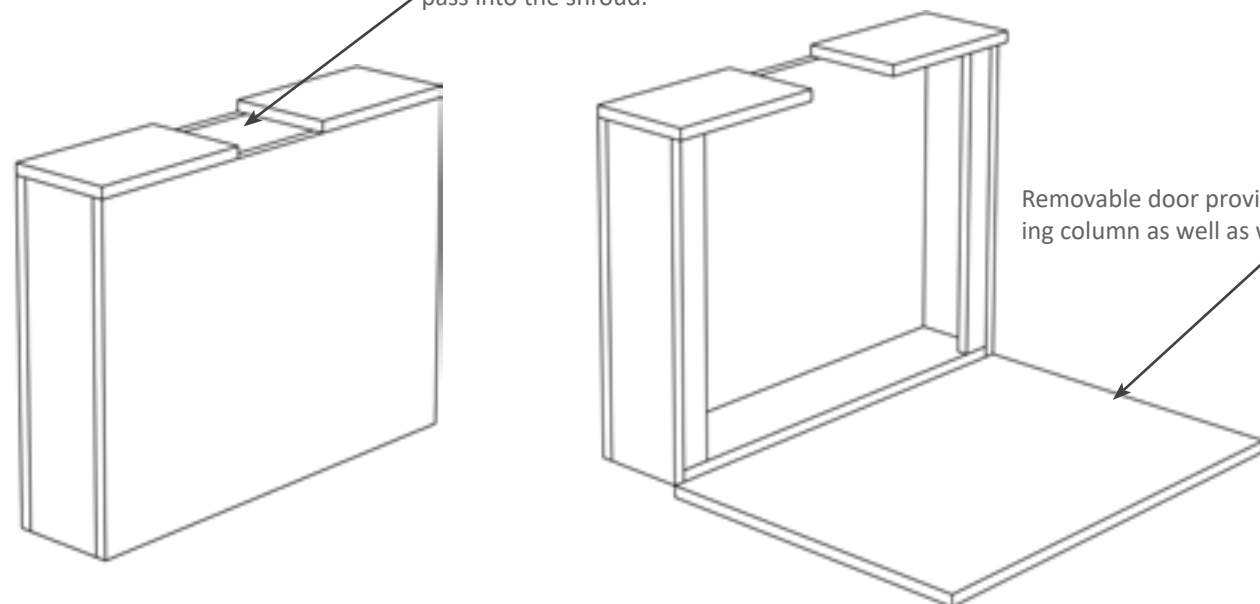
All Hover bases can be used with shrouds. Other manufacturer's bases may not be compatible. Lowest position and maximum position will depend on the base used.



Multiple worksurface materials can be used with height adjustable bases and Ascend shrouds.

Shroud provides no structural support and can be specified as a pair of shrouds or as a single shroud in combination with storage units.

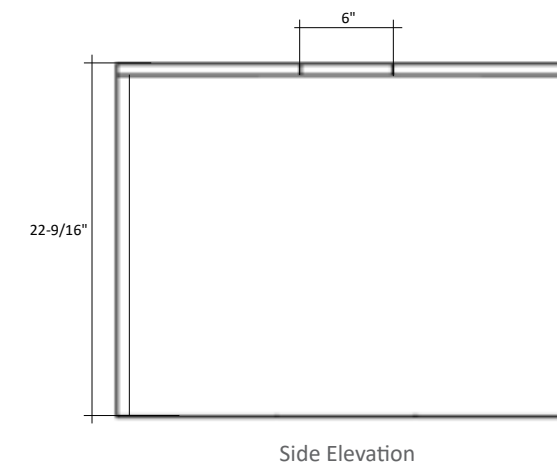
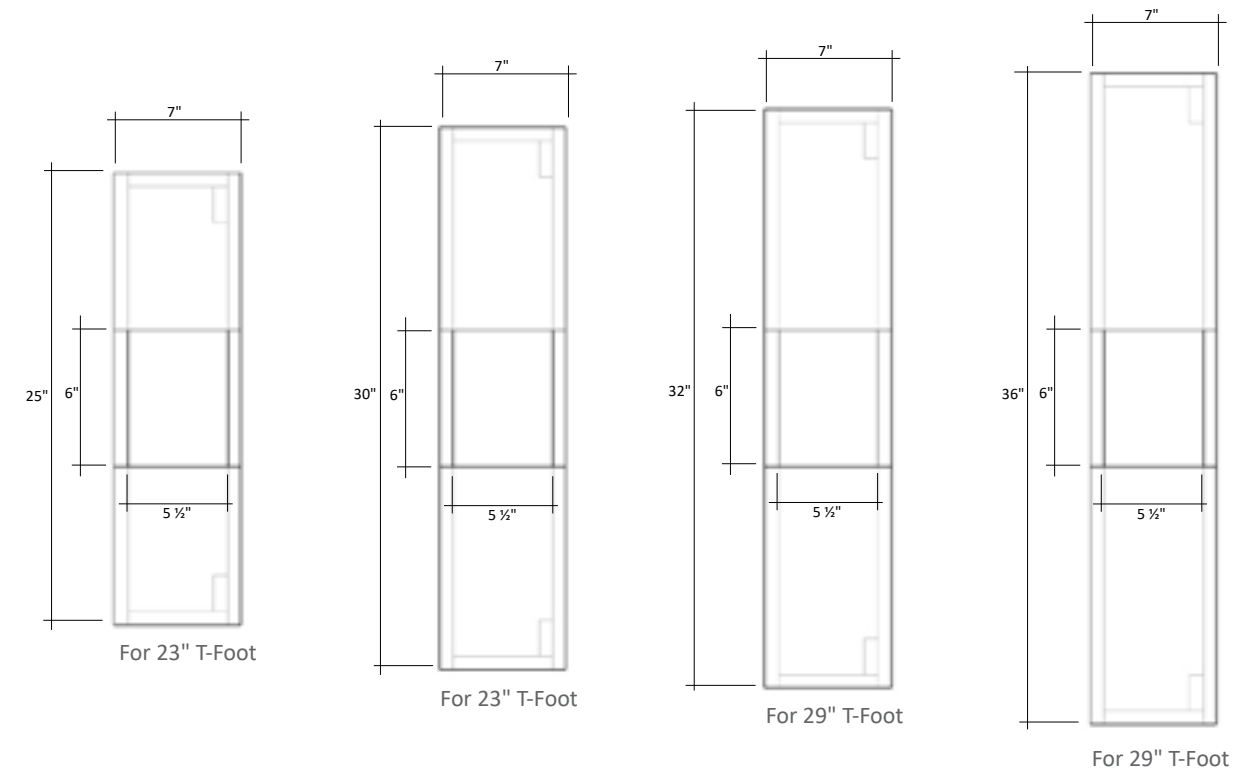
The top has a cutout large enough to accommodate the lifting column and wires to pass into the shroud.



Removable door provides access to the lifting column as well as wire management.

dimensions

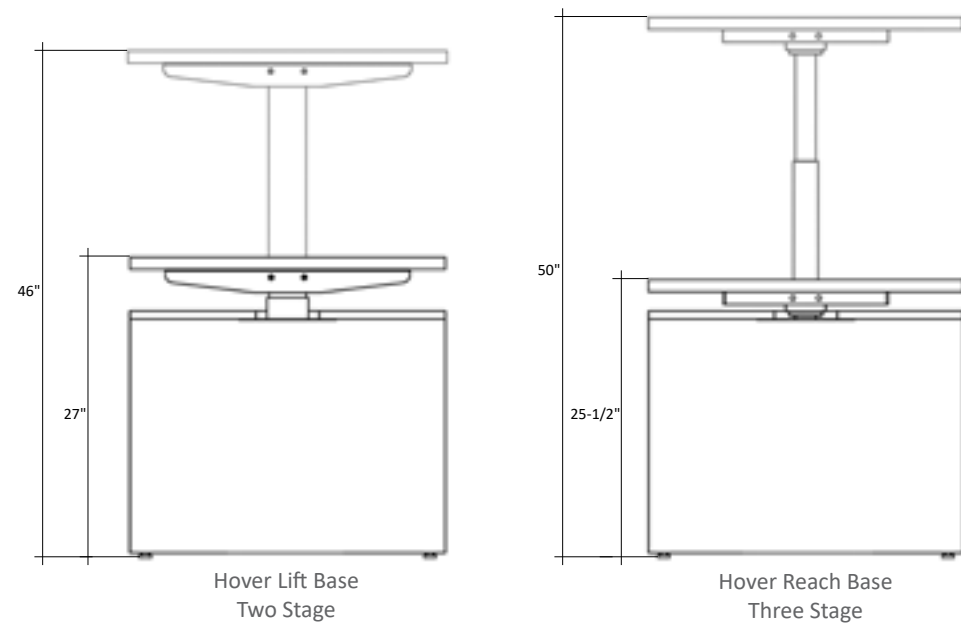
Shrouds are available in 3 depths, 25", 30" and 36". The 30" and 36" are used for desk applications and the 25" for return, bridge or credenza applications.



base shrouds

minimum and maximum desk heights

Shrouds are 22-9/16" high. This allows the height adjustable bases to fully lower to their shortest height, which is necessary to reset the base. Leveler adds an additional 1/2" height.



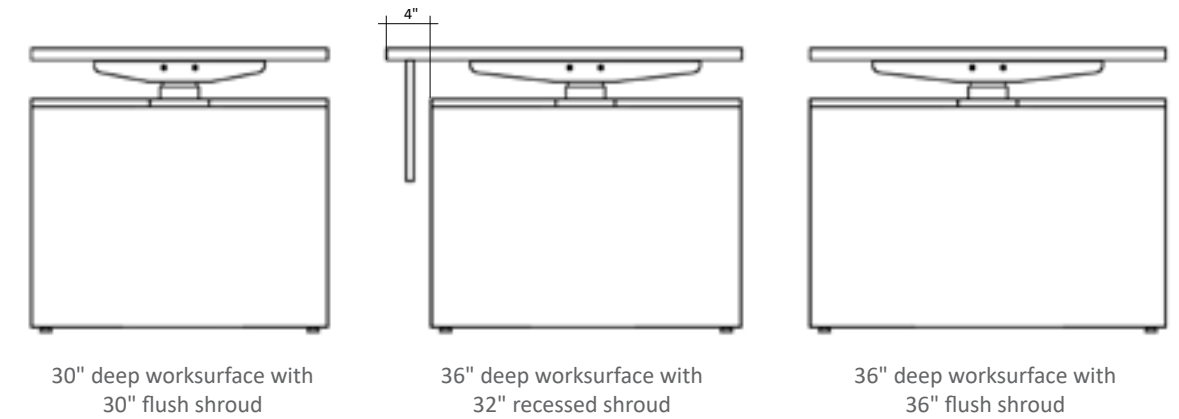
overhang

In the installed position the minimum overhang of the worksurface when using the Hover Boost or Reach Base is 2", a larger overhang is possible. The base shroud and combination pedestal can be inset under the worksurface more, but all modesty panels are sized assuming this positioning. For desks 78" or larger an extension kit should be used to achieve the minimum overhang shown below.



shroud configurations

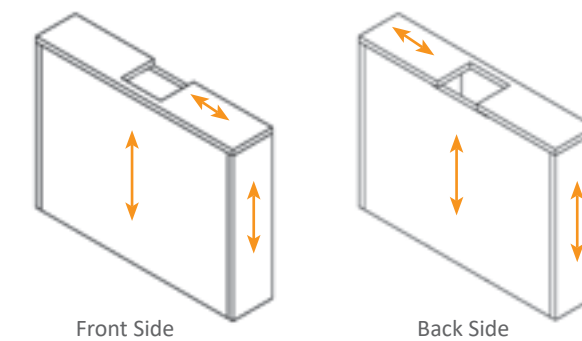
Base shrouds can be flush with the worksurface or recessed. The flush configuration consists of equal depth worksurface and base shroud. The recessed configuration consists of a 36" deep worksurface with a 32" deep shroud.



With the recessed configuration, the height adjustable base and base shroud are not centered on the table top.

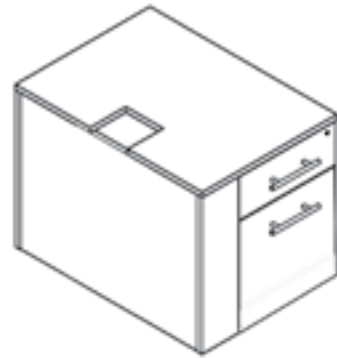


grain direction

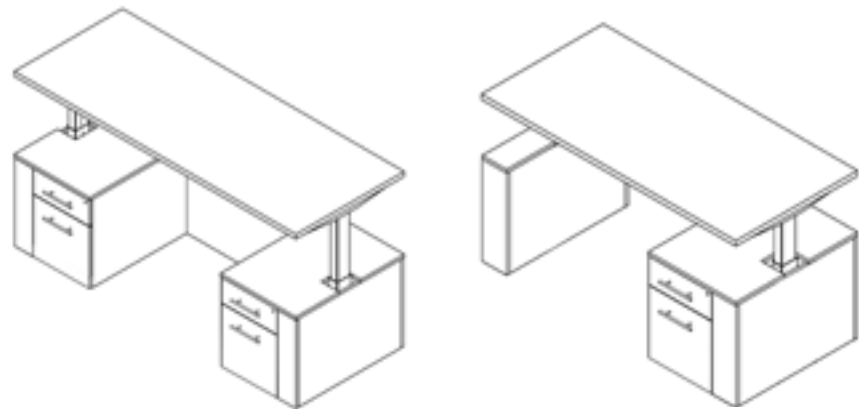


combination pedestal

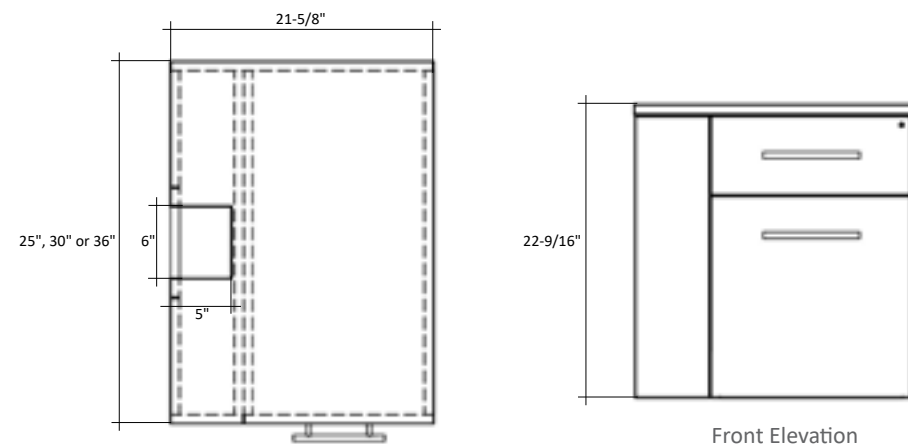
The combination pedestal conceals a major portion of the height adjustable column and the entire T-foot. It also provides the standard size box/file storage within a single unit. Available in three depths, 25", 30" and 36" to correspond with the base shroud sizes.



Combination pedestal can be specified for both right and left hand sides, together or in combination with a base shroud.

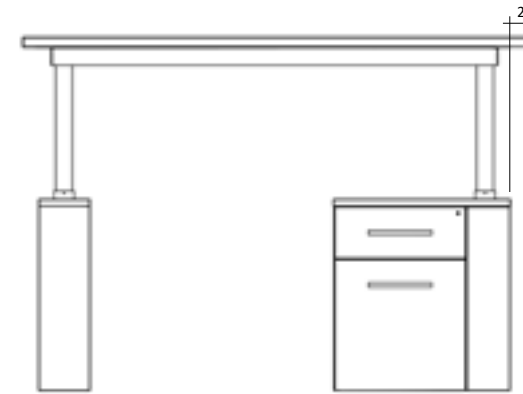


dimensions

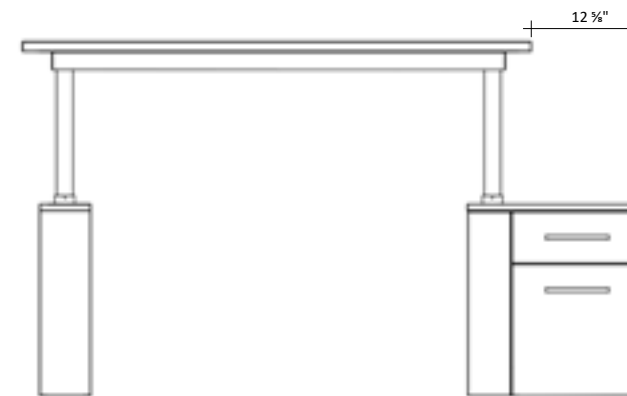


Front Elevation

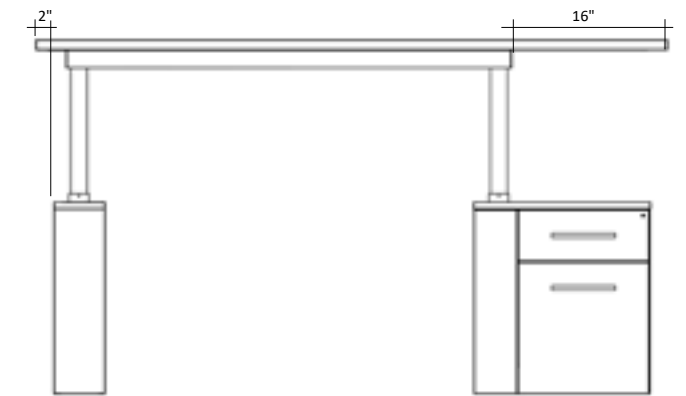
pedestal orientation



Combination pedestal recessed under the worksurface.

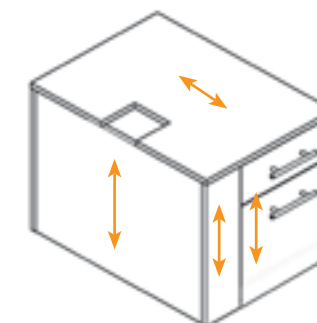


Combination pedestal outset under the worksurface. This configuration uses the same size modesty panels as a configuration with two base shrouds.



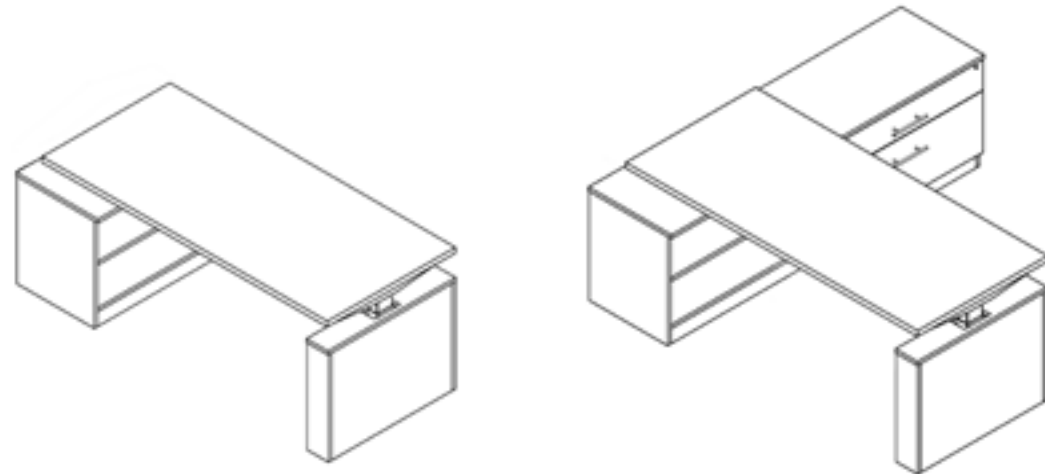
Combination pedestal outset under the worksurface, with oversized worksurface with 16" maximum overhang (Hover Lift Base only).

grain direction

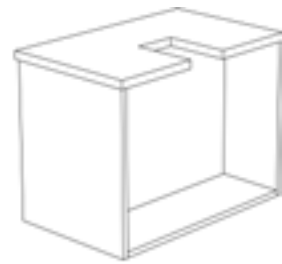


peninsula cabinets

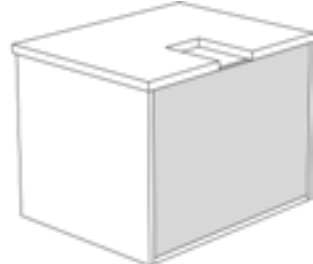
Peninsula cabinets provide a clean aesthetic with an efficient footprint. The open storage cabinets provide easy access to items under the desk.



Front view of cabinet.



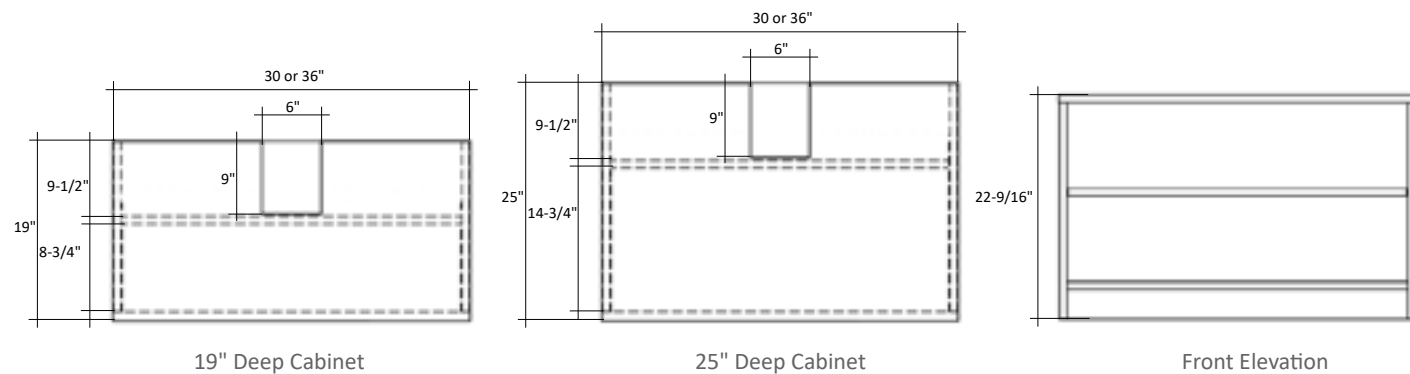
Open back is standard.



Optional removable panel conceals height adjustable base if unit is not placed against a wall.

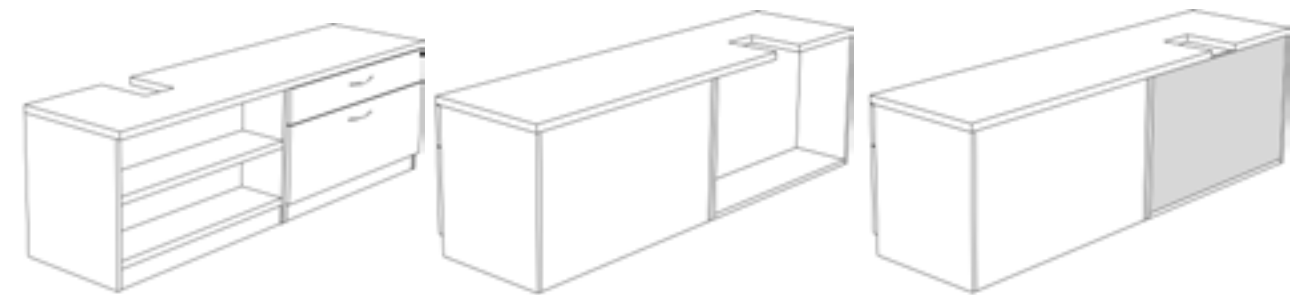
dimensions

Open storage cabinet is available in two widths, 30" and 36", and two depths, 19" and 25". The usable space on the 19" deep cabinet is 8-3/4" and on the 25" deep cabinet is 14-3/4".



open storage & box/lateral credenza cabinet

The credenza cabinet provides box/lateral file low storage on one side and open storage to house the height adjustable leg on the other side. The leg cutout is always centered on the open storage side of the credenza. Handedness is determined by which leg of the base is located inside the cabinet.



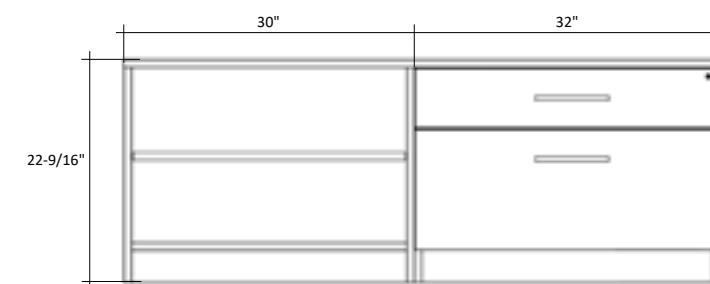
Right model shown.

Open back is standard.

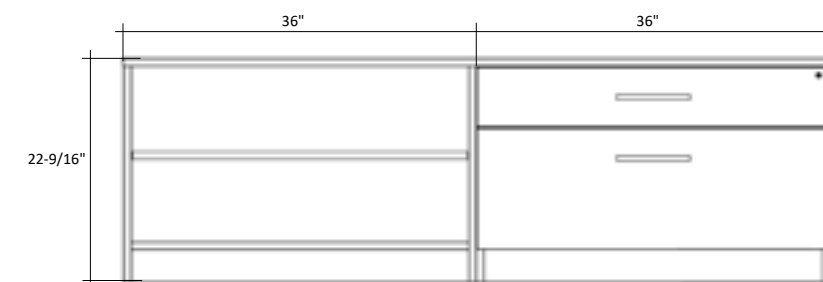
Optional removable panel conceals height adjustable base if unit is not placed against a wall.

dimensions

Credenza cabinet is available in two widths, 62" and 72", and two depths, 19" and 25".



62" Wide Cabinet - Front Elevation

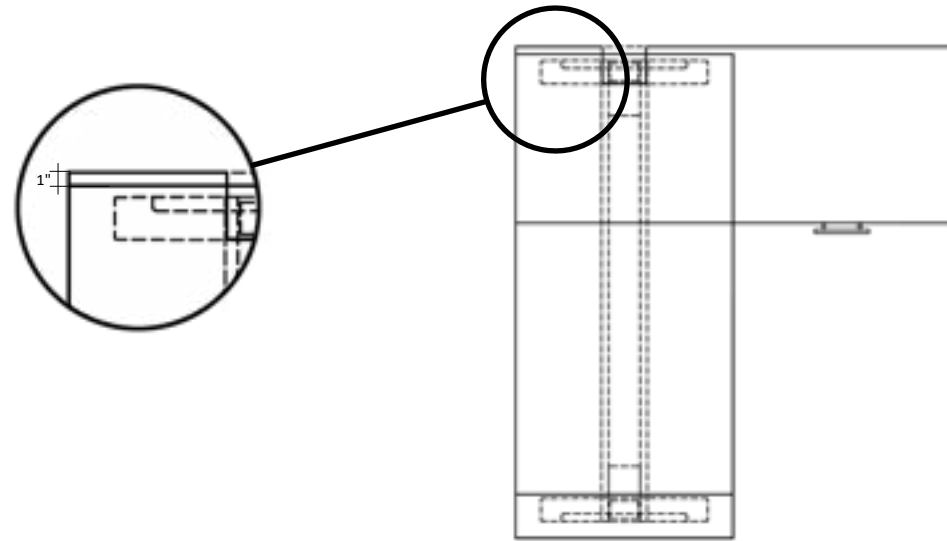


72" Wide Cabinet - Front Elevation

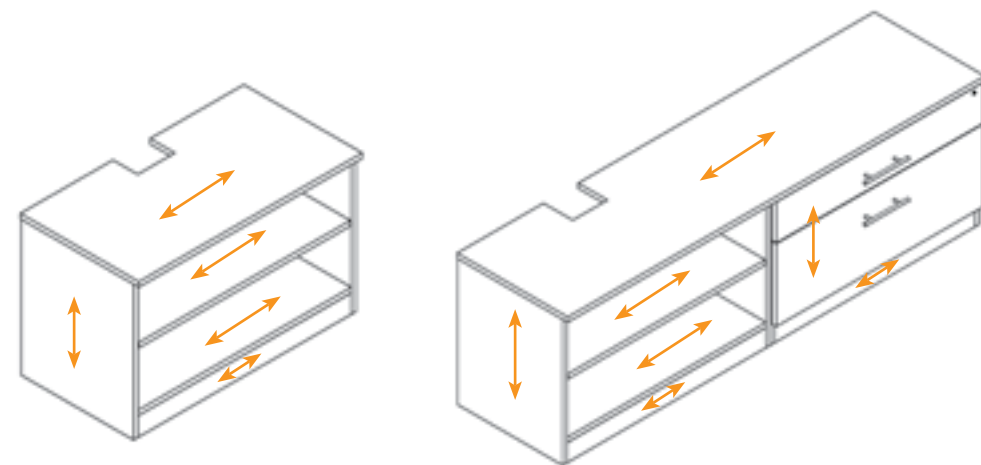
peninsula cabinets

wall clearance

If open storage cabinet or credenza cabinet are to be placed against a wall, the cabinet should be placed to extend past the worksurface by a minimum of 1" to avoid pinch points.



grain direction



stationary returns, bridges and credenzas

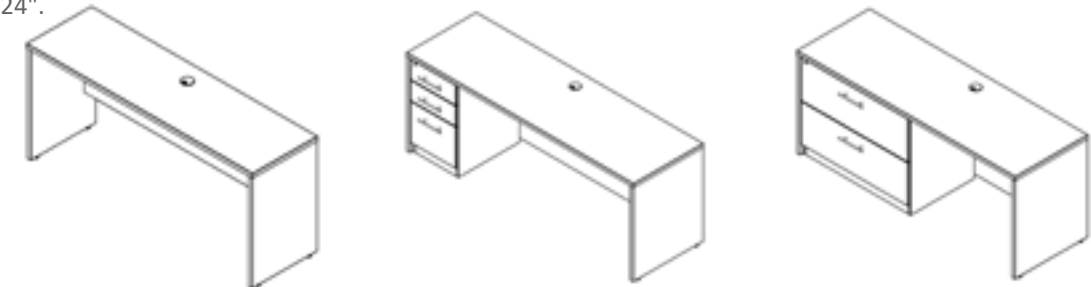
stationary returns and bridges

Ascend returns and bridges have an additional half panel support to allow it to be placed adjacent to the height adjustable desk. Available in two depths, 19" and 24".



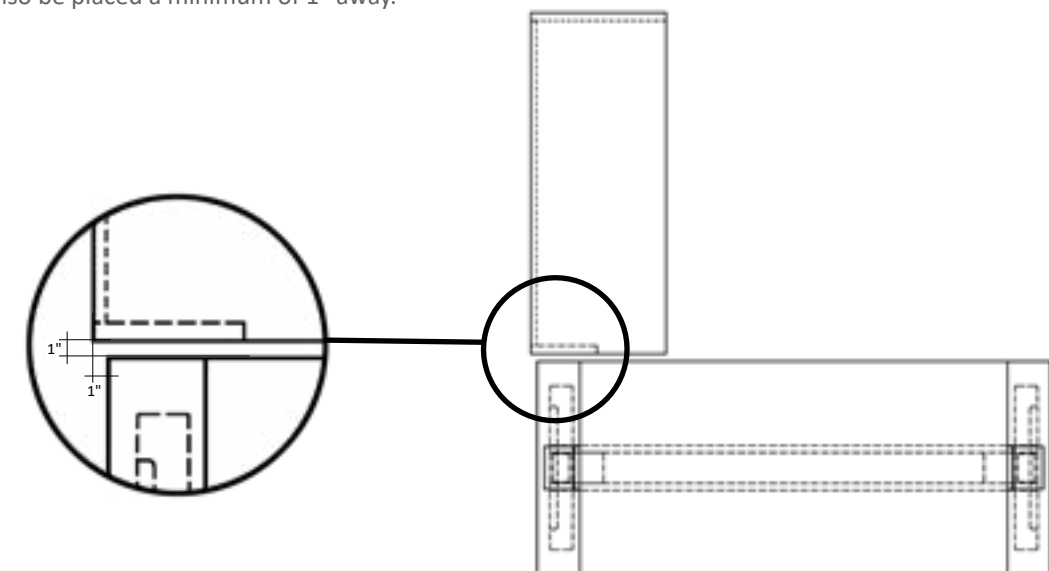
stationary credenzas

Any standard credenza from Convergence, Milano and SPX can be used with Ascend products. Available in two depths, 19" and 24".



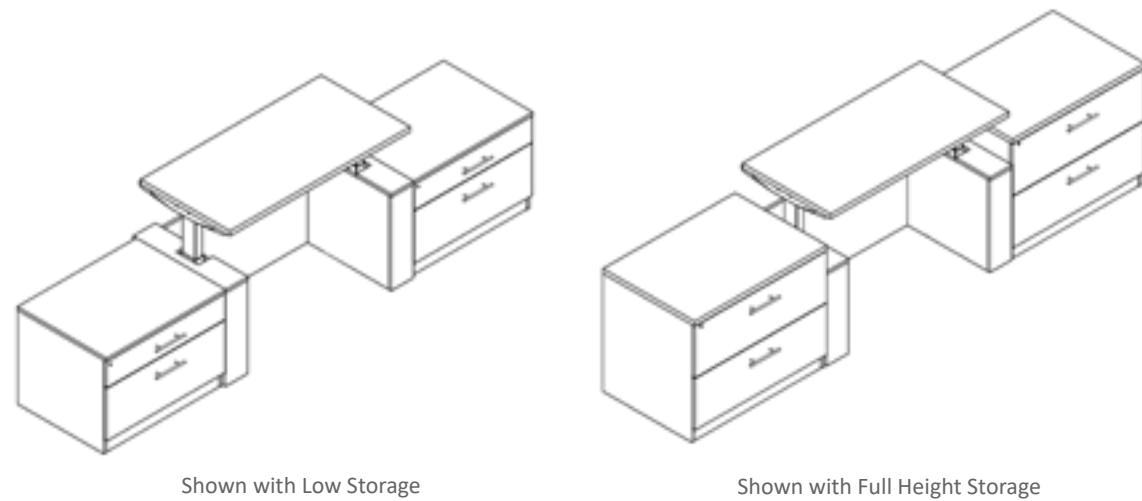
pinch points

If height adjustable base shrouds are to be placed against a wall the worksurface needs to be a minimum of 1" away from the wall to avoid pinch points. Any stationary furniture placed adjacent to the height adjustable desk should also be placed a minimum of 1" away.



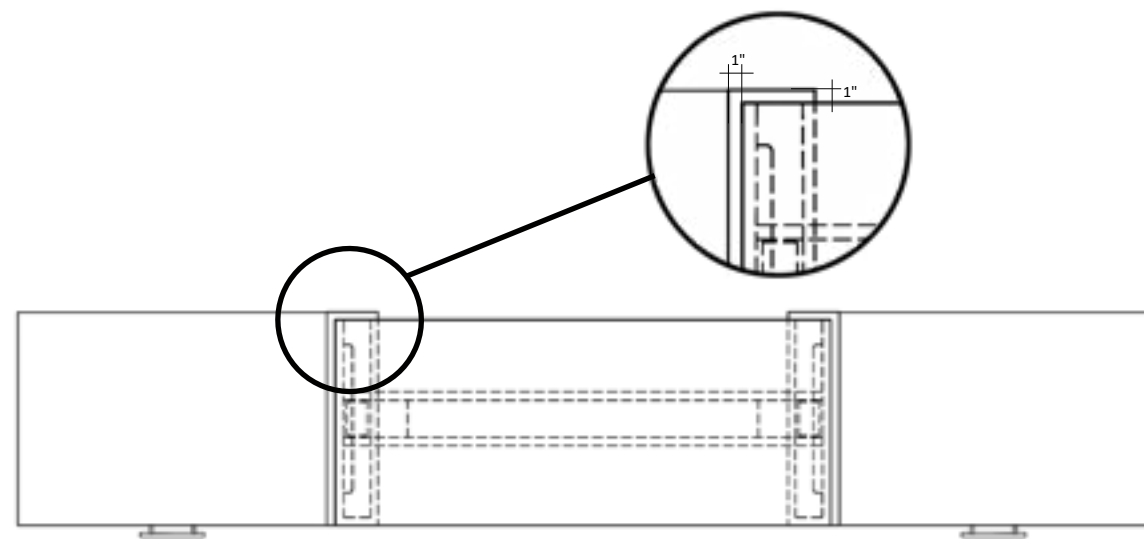
height adjustable returns, bridges and credenzas

Height adjustable returns, bridges and credenzas are intended for use against a wall and are only available with a 24" deep worksurface. Base shroud is 25" deep to allow for a 1" pinch point clearance. Storage units adjacent to the base shrouds can be specified as both low storage (shorter than 23") or can be full height (29" or higher).



pinch points

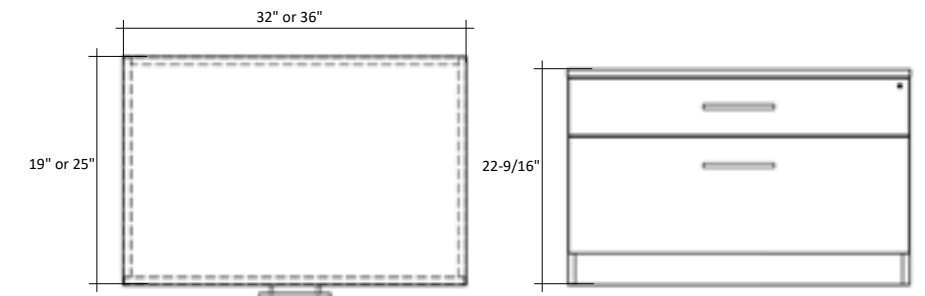
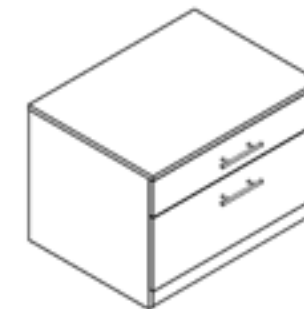
If height adjustable base shrouds are to be placed adjacent to any full height storage units, a minimum of 1" clearance needs to be maintained on the sides to prevent pinch points.



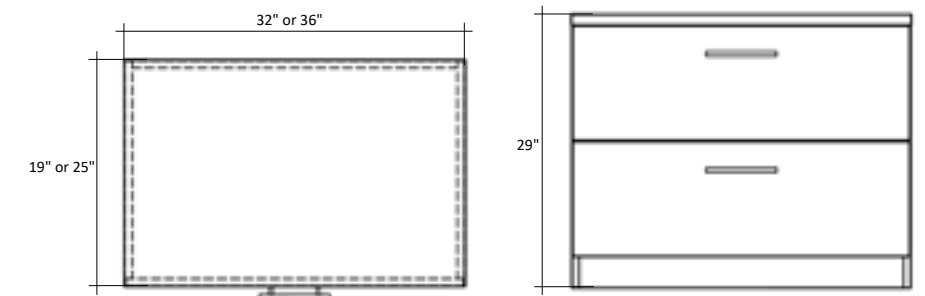
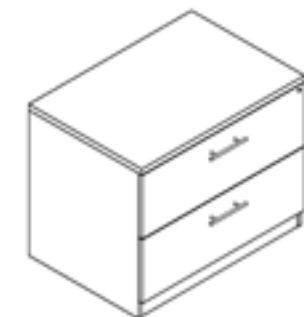
storage units

Ascend storage units are 25" deep to align with the 25" deep base shrouds. Available in low height box/lateral file (22-9/16" high) or full height lateral/lateral file (29" high). Storage units are available in two widths, 32" and 36".

box/lateral file



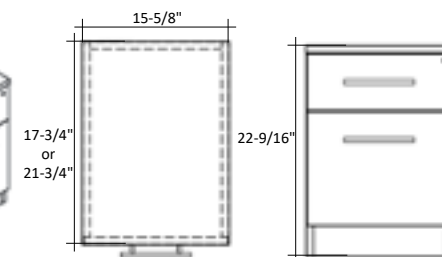
lateral/lateral file



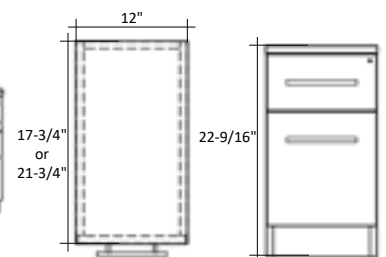
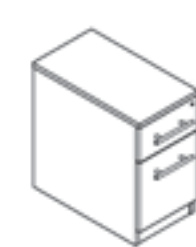
box/file pedestals

Ascend box/file pedestals are available in two widths, 12" and 15-5/8", and two depths, 17-3/4" and 21-3/4".

box/file

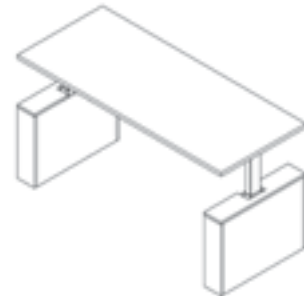


skinny box/file

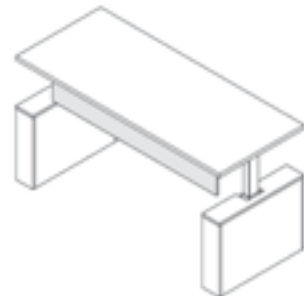


modesty panel options

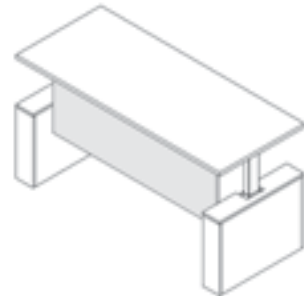
two base shrouds



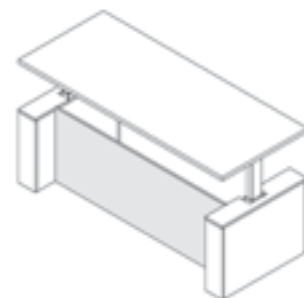
No Modesty



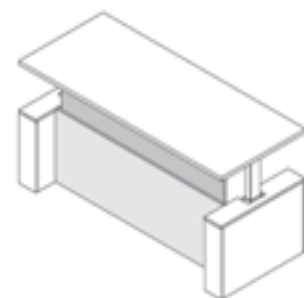
12" High Hanging Modesty



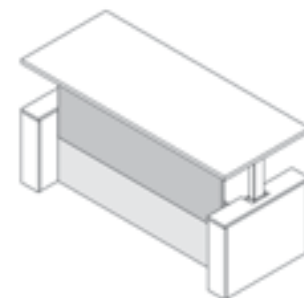
Full Height Hanging Modesty



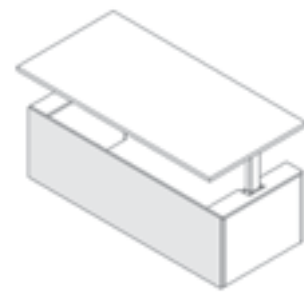
Full Height Modesty



Full Height Modesty with Hanging Modesty Behind

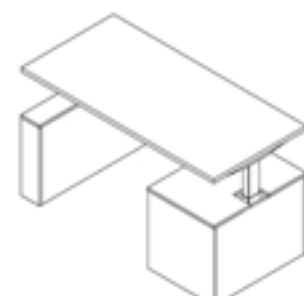


Full Height Modesty with Hanging Modesty in Front

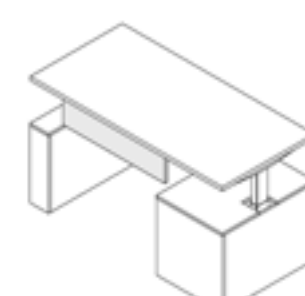


Full Height Front-Mounted Modesty

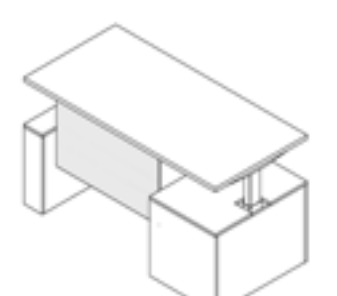
one base shroud & one combination pedestal



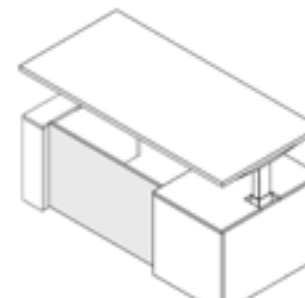
No Modesty



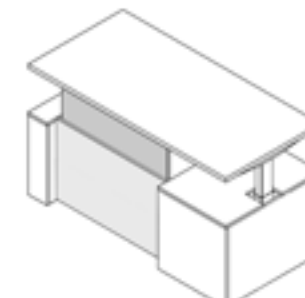
12" Hanging Modesty



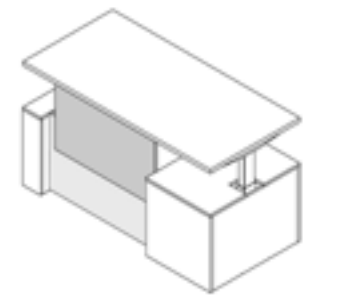
Full Height Hanging Modesty



Full Height Modesty



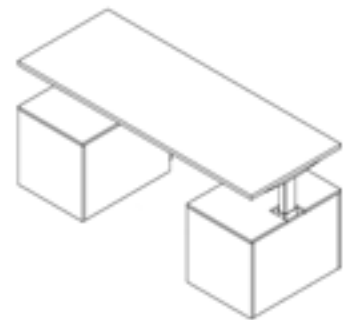
Full Height Modesty with Hanging Modesty Behind



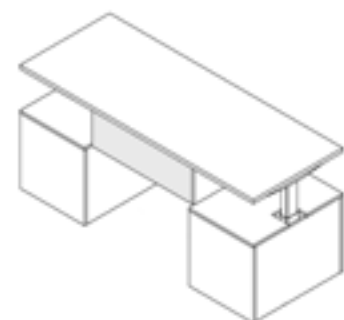
Full Height Modesty with Hanging Modesty in Front

modesty panel options

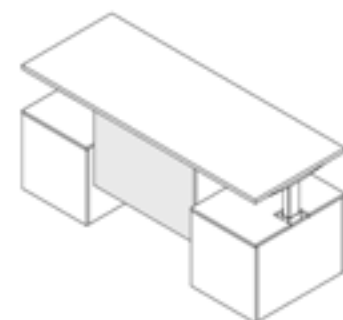
two combination pedestals



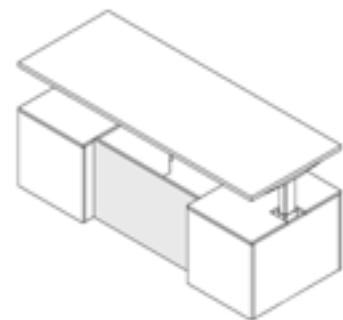
No Modesty



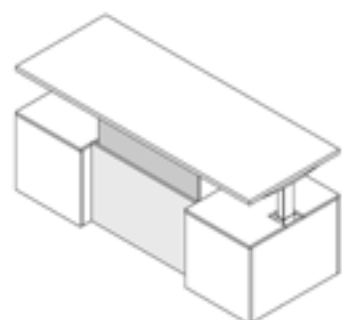
12" High Hanging Modesty



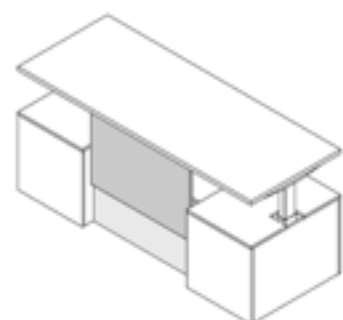
Full Height Hanging Modesty



Full Height Modesty

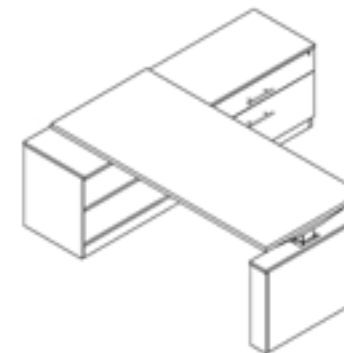


Full Height Modesty with Hanging Modesty Behind

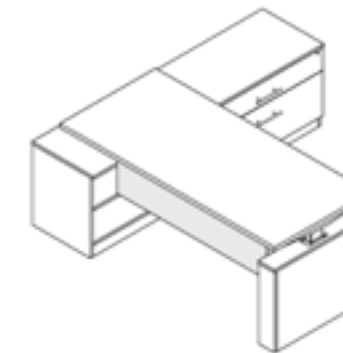


Full Height Modesty with Hanging Modesty in Front

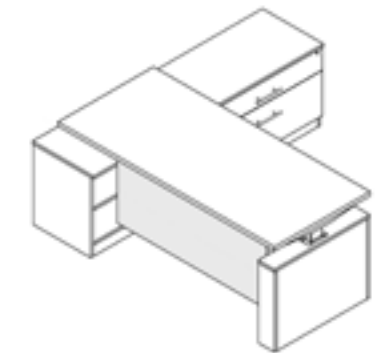
one base shroud & peninsula cabinet



No Modesty



12" High Hanging Modesty

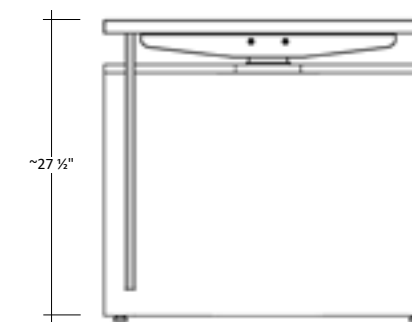


Full Height Hanging Modesty

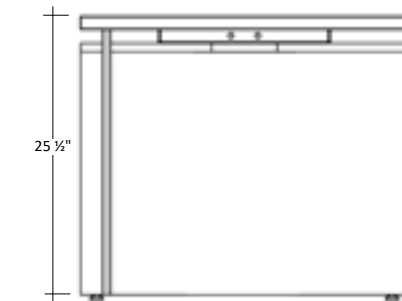
Please note that the peninsula cabinets cannot be paired with a fixed modesty.

full height hanging modesty heights

Two stage and three stage bases have different measurements when they are fully lowered to their shortest height. Our "full height" hanging modesty panels are designed to not collide with the floor when used with any bases listed in this catalog, but please be aware the appearance of the desk may vary slightly if multiple base styles are used on the same project.



Hover Lift/ Hover Boost Two Stage



Hover Reach Three Stage

modesty panel options

modesty panel placement

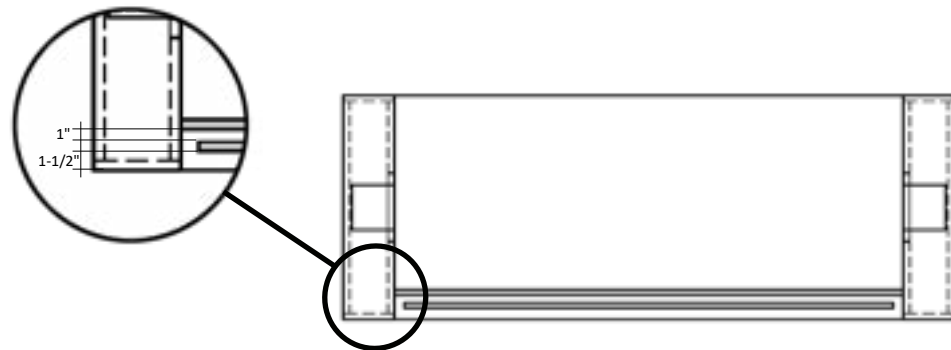
hanging modesty panel length

All hanging modesty panels must be undersized in length by a minimum of 1" to avoid pinch points.



hanging modesty panel and fixed modesty panel placement

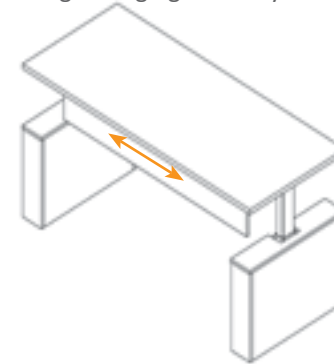
Hanging modesty panels should be inset 1-1/2" from the guest edge of the worksurface. This allows for grommet clearance. Any fixed modesty panel should be placed a minimum of 1" away from hanging modesty panels.



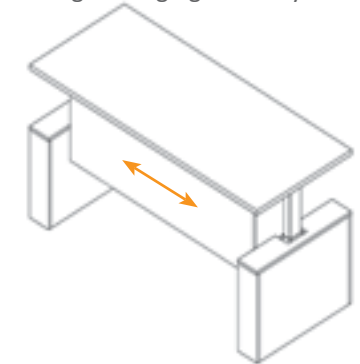
grain direction

hanging modesty panels

12" High Hanging Modesty Panel

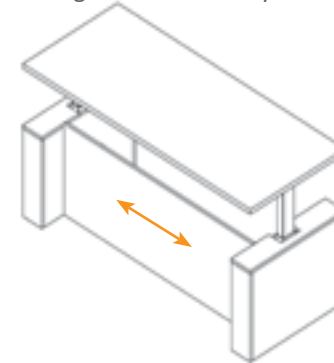


Full Height Hanging Modesty Panels

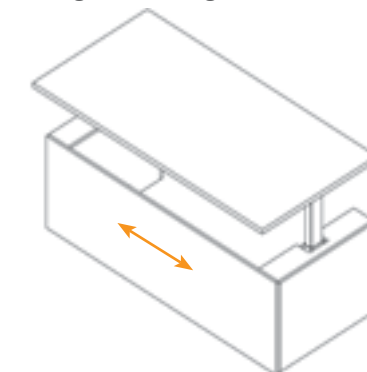


fixed modesty panels

Full Height Fixed Modesty Panels



Full Height, Full Length Fixed Modesty Panel

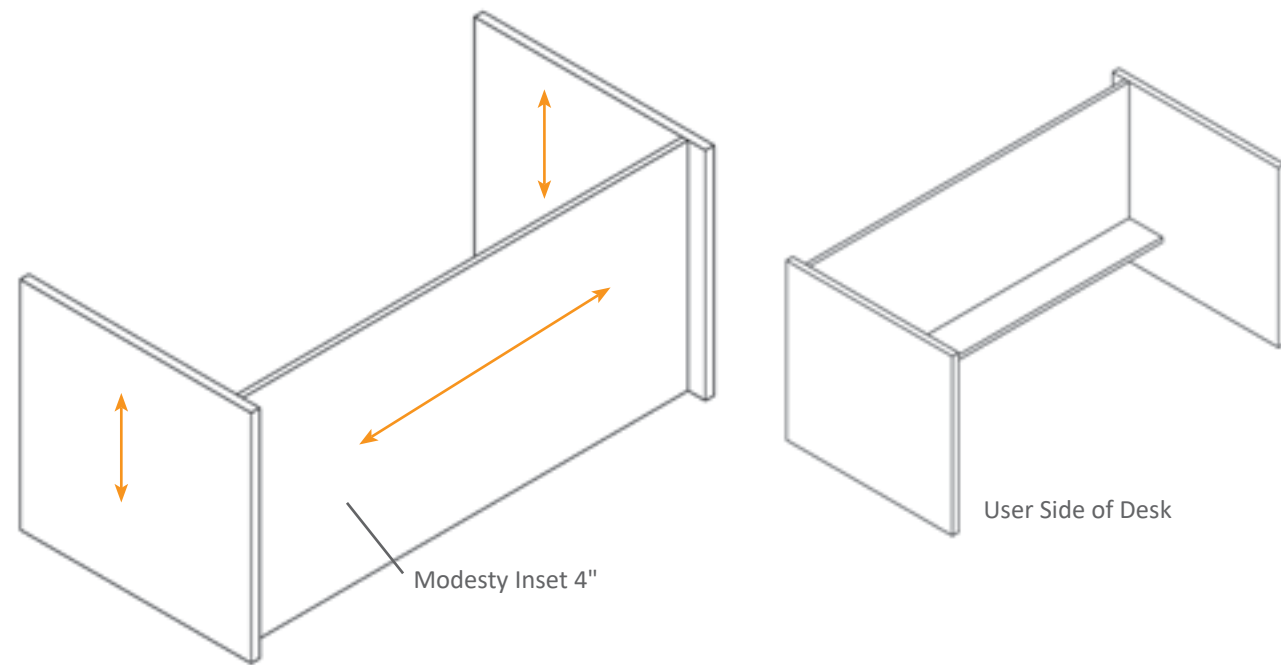


desk shells

Ascend Desk Shells achieve the look of casegoods furniture by simply surrounding the height adjustable base. They may be appropriate for a wider range of bases than shroud and modesty combinations as the leg placement is unrestricted. Desk Shells are the recommended solution when using 3-legged height adjustable bases. Due to the height of the Desk Shell, most bases will need to be pulled out of the shell to be reset.

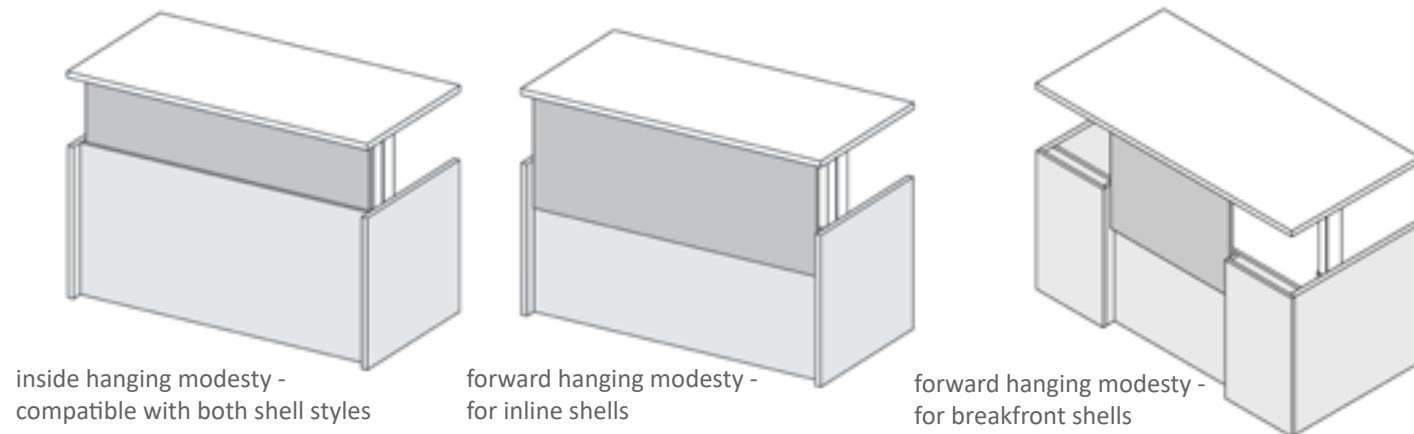
inline desk shell

The Ascend Inline Desk Shell is stylistically similar to the Convergence casegoods series.



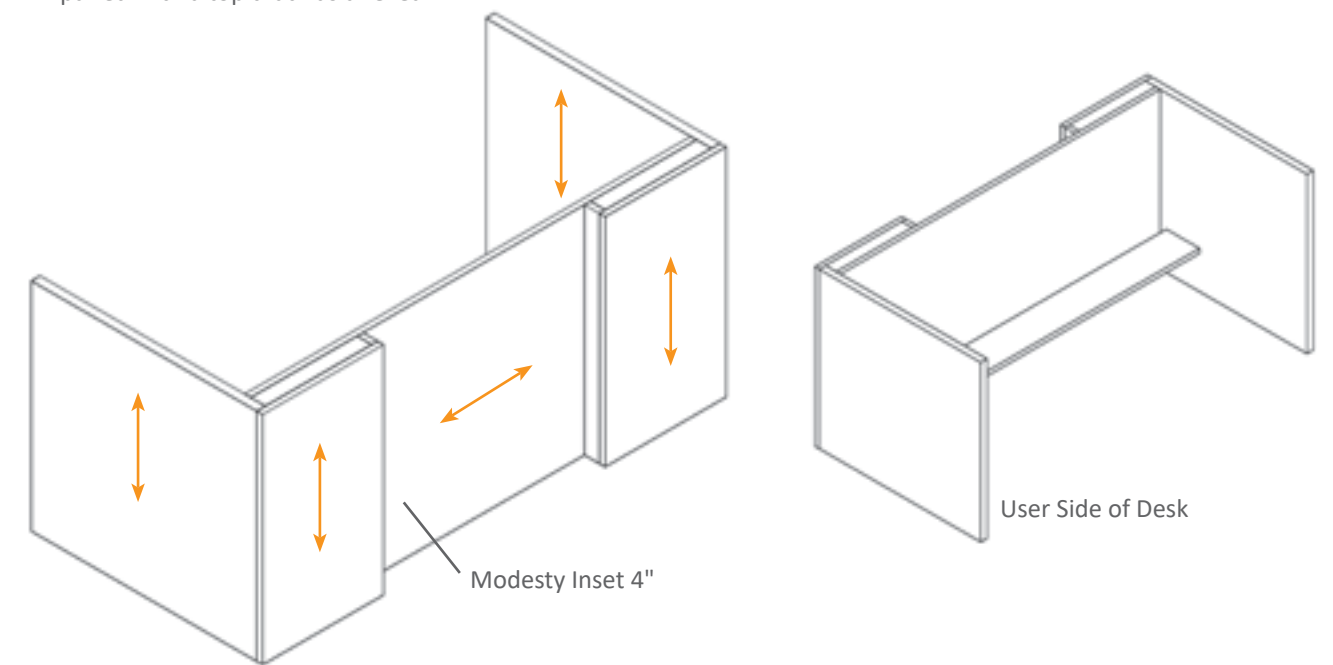
hanging modesty panel options for desk shells

There are multiple hanging modesty options specifically sized to be paired with desk shells. A modesty panel mounted in front of the desk shell may need to be removed if the height adjustable base needs to be reset as this will require pulling the base outside of the shell to lower it completely in most cases.



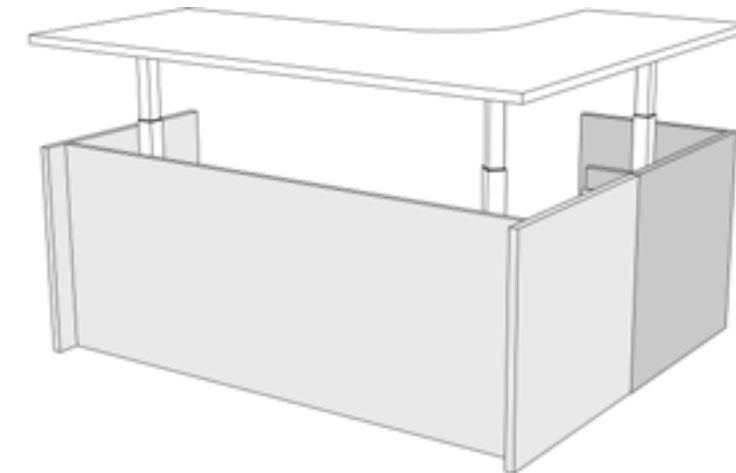
breakfront desk shell

The Ascend Breakfront Desk Shell is stylistically similar to the SPX casegoods series, or the Milano Series when paired with a top that has a reveal.



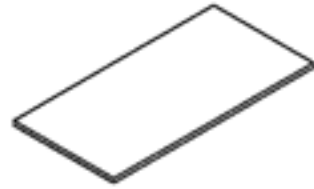
return shells

A Return Shell is available to connect to either style of Ascend Desk Shell to completely enclose a 3-legged base.



rectangular worksurface

TFL and HPL

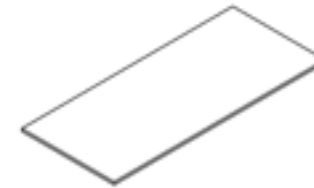


Model Number	Depth	Length	TFL		HPL		
			1-1/8" Thick Standard TFL 2mm PVC	1-1/8" Thick Premium TFL 2mm PVC	1-1/8" Thick Standard HPL 2mm PVC	1-1/8" Thick MDF Core 2mm PVC Knife	1" Thick Plywood Core Exposed Plywood
			T1-A1	T2-A1	H1-A1	H1-K1	H1-P1
24" Deep							
HV-WS01-2448-??-??	24	48	\$364	\$400	\$614	\$713	\$1,115
HV-WS01-2454-??-??	24	54	\$365	\$402	\$616	\$718	\$1,128
HV-WS01-2460-??-??	24	60	\$368	\$405	\$619	\$725	\$1,141
HV-WS01-2466-??-??	24	66	\$370	\$408	\$622	\$731	\$1,153
HV-WS01-2472-??-??	24	72	\$373	\$410	\$623	\$737	\$1,166
HV-WS01-2478-??-??	24	78	\$458	\$504	\$788	\$925	\$1,469
HV-WS01-2484-??-??	24	84	\$461	\$507	\$791	\$931	\$1,482
30" Deep							
HV-WS01-3048-??-??	30	48	\$493	\$542	\$860	\$992	\$1,564
HV-WS01-3054-??-??	30	54	\$495	\$545	\$861	\$999	\$1,577
HV-WS01-3060-??-??	30	60	\$497	\$546	\$864	\$1,005	\$1,589
HV-WS01-3066-??-??	30	66	\$498	\$548	\$867	\$1,011	\$1,602
HV-WS01-3072-??-??	30	72	\$501	\$551	\$869	\$1,016	\$1,614
HV-WS01-3078-??-??	30	78	\$631	\$694	\$1,115	\$1,296	\$2,062
HV-WS01-3084-??-??	30	84	\$632	\$695	\$1,118	\$1,303	\$2,074
36" Deep							
HV-WS01-3648-??-??	36	48	\$495	\$545	\$861	\$999	\$1,577
HV-WS01-3654-??-??	36	54	\$497	\$546	\$864	\$1,005	\$1,589
HV-WS01-3660-??-??	36	60	\$498	\$548	\$867	\$1,011	\$1,602
HV-WS01-3666-??-??	36	66	\$501	\$551	\$869	\$1,016	\$1,614
HV-WS01-3672-??-??	36	72	\$503	\$554	\$872	\$1,022	\$1,627
HV-WS01-3678-??-??	36	78	\$632	\$695	\$1,118	\$1,303	\$2,074
HV-WS01-3684-??-??	36	84	\$635	\$698	\$1,121	\$1,308	\$2,087

- TFL worksurfaces are only available with DeskMakers standard 2MM PVC edgebanding.
- HPL worksurfaces with 2mm PVC edges are only available with DeskMakers standard 2MM PVC edgebanding.
- Grain runs the length on all worksurfaces.
- Please see Cleaning and Care Guide for maintenance information.

rectangular worksurface

Wood edge options

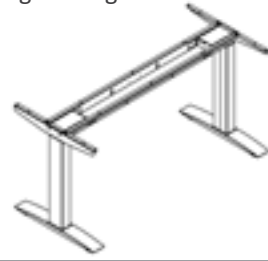


Model Number	Depth	Length	TFL				HPL	
			1-1/8" Thick Standard TFL 3/8" Wood	1-1/8" Thick Standard TFL 1-1/8" Wood C1 C4	1-1/8" Thick Standard TFL 3/8" Wood	1-1/8" Thick Standard TFL 1-1/8" Wood C1 C4	1-1/8" Thick Standard TFL 3/8" Wood	1-1/8" Thick Standard TFL 1-1/8" Wood C1 C4
			T1-B1	T1-C?	T2-B1	T2-C?	H1-B1	H1-C?
24" deep								
TP-RECT-2448-??-??	24	48	\$688	\$805	\$757	\$885	\$1,087	\$1,271
TP-RECT-2454-??-??	24	54	\$716	\$829	\$787	\$911	\$1,131	\$1,308
TP-RECT-2460-??-??	24	60	\$742	\$858	\$817	\$944	\$1,173	\$1,354
TP-RECT-2466-??-??	24	66	\$770	\$884	\$847	\$973	\$1,216	\$1,398
TP-RECT-2472-??-??	24	72	\$799	\$910	\$879	\$1,001	\$1,262	\$1,435
TP-RECT-2478-??-??	24	78	\$825	\$939	\$907	\$1,033	\$1,303	\$1,484
TP-RECT-2484-??-??	24	84	\$852	\$967	\$938	\$1,063	\$1,345	\$1,526
30" deep								
TP-RECT-3048-??-??	30	48	\$742	\$858	\$817	\$944	\$1,173	\$1,354
TP-RECT-3054-??-??	30	54	\$777	\$894	\$854	\$983	\$1,227	\$1,412
TP-RECT-3060-??-??	30	60	\$791	\$904	\$871	\$995	\$1,250	\$1,430
TP-RECT-3066-??-??	30	66	\$846	\$963	\$930	\$1,059	\$1,336	\$1,521
TP-RECT-3072-??-??	30	72	\$880	\$996	\$968	\$1,095	\$1,391	\$1,571
TP-RECT-3078-??-??	30	78	\$997	\$1,110	\$1,097	\$1,221	\$1,574	\$1,753
TP-RECT-3084-??-??	30	84	\$1,029	\$1,143	\$1,132	\$1,258	\$1,626	\$1,806
36" deep								
TP-RECT-3660-??-??	36	60	\$963	\$1,076	\$1,059	\$1,183	\$1,521	\$1,698
TP-RECT-3672-??-??	36	72	\$1,081	\$1,242	\$1,189	\$1,366	\$1,707	\$1,961
TP-RECT-3678-??-??	36	78	\$1,119	\$1,293	\$1,231	\$1,423	\$1,770	\$2,042
TP-RECT-3684-??-??	36	84	\$1,182	\$1,352	\$1,300	\$1,487	\$1,866	\$2,136

- Grain runs the length on all worksurfaces.
- Wood on all four edges for Group B and C edge details.
- Wood edges increase the overall depth and length of worksurface.
- Please see Cleaning and Care Guide for maintenance information.

Hover Lift height adjustable bases

Electric - 2 Leg - 2 Stage



Model Number	T-Foot Length	Worksurface Depth	Worksurface Length	Price
For 24" and 30" deep worksurfaces				
HV-AE23-2448-??	23	24/30	48	\$2,654
HV-AE23-2454-??	23	24/30	54	\$2,670
HV-AE23-2460-??	23	24/30	60	\$2,674
HV-AE23-2466-??	23	24/30	66	\$2,692
HV-AE23-2472-??	23	24/30	72	\$2,703
HV-AE23-2478-??	23	24/30	78	\$2,718
HV-AE23-2484-??	23	24/30	84	\$2,807
For 30" and 36" deep worksurfaces				
HV-AE29-3648-??	29	30/36	48	\$2,695
HV-AE29-3654-??	29	30/36	54	\$2,710
HV-AE29-3660-??	29	30/36	60	\$2,714
HV-AE29-3666-??	29	30/36	66	\$2,732
HV-AE29-3672-??	29	30/36	72	\$2,744
HV-AE29-3678-??	29	30/36	78	\$2,758
HV-AE29-3684-??	29	30/36	84	\$2,848

- Please specify base finish when ordering. Premium colors available with 10% increase, OP-COLOR. See page 9 for finish options.
- Tops specified separately.
- Bases ship unassembled.
- Includes adjustable glides. 2" high Casters available, add OP-CAST-OMT-A for \$141 (set of 4).
- Programmable digital control available, add AC-CNTL-DIGI for \$249.
- External safety sensor available, add AC-DRBK-OMT for \$332.

Hover Reach Height Adjustable Bases - 2 Leg for Rectangular Worksurfaces

Electric - 3 Stage



Model Number	T-Foot Length	Worksurface Width	Worksurface Length	Price
For 24" and 30" Deep Worksurfaces				
ML-3STG-2472-SV	23	24/30	48/72	\$1,106
For 30" and 36" Deep Worksurfaces				
ML-3STG-3072-SV	29	30/36	48/72	\$1,140

- Silver finish standard.
- Tops specified separately. Bases ship unassembled with tool-free quick-install components.
- Includes adjustable steel frame, adjustable glides and programmable digital control.
- Base can accommodate tops up to 84" with the addition of ML-2LEG-EXKT for \$362

Hover Boost Height Adjustable Bases - 2 Leg for Rectangular Worksurfaces

Electric - 2 Stage



Model Number	T-Foot Length	Worksurface Width	Worksurface Length	Price
For 24" and 30" Deep Worksurfaces				
ML-2STG-2472-??	23	24/30	42/72	\$950
For 30" and 36" Deep Worksurfaces				
ML-2STG-3072-??	29	30/36	42/72	\$980

- Silver finish standard. Black and White may require additional lead time.
- Tops specified separately. Bases ship unassembled with tool-free quick-install components.
- Includes adjustable steel frame, adjustable glides and programmable digital control.
- Base can accommodate tops up to 84" with the addition of ML-2LEG-EXKT for \$362

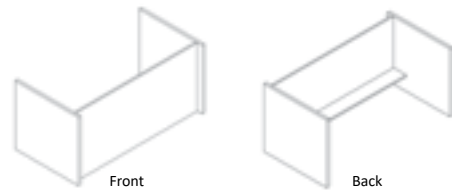
base shroud



Model Number	Depth	Width	Height	T1	T2
AS-SHRD-0725-??	7	25	22-9/16	\$442	\$486
AS-SHRD-0730-??	7	30	22-9/16	\$542	\$596
AS-SHRD-0732-??	7	32	22-9/16	\$587	\$645
AS-SHRD-0736-??	7	36	22-9/16	\$673	\$740

- Height adjustable base and worksurface specified separately.
- Edges are only available with DeskMakers standard 2MM PVC edgebanding.
- Includes levelers and a hinged door.
- Because shroud support foot of height adjustable base, a shroud must be used on both legs of desk. Not for use with 3-legged bases.

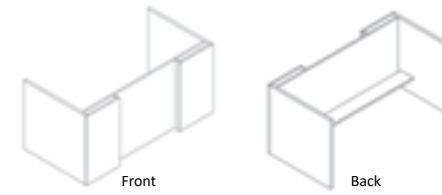
inline desk shell



Model Number	Depth	Width	Height	T1	T2
30" deep					
AS-SHL1-3060-??	30	60	28	\$815	\$897
AS-SHL1-3066-??	30	66	28	\$821	\$903
AS-SHL1-3072-??	30	72	28	\$830	\$913
AS-SHL1-3078-??	30	78	28	\$837	\$920
AS-SHL1-3084-??	30	84	28	\$843	\$928
36" deep					
AS-SHL1-3660-??	36	60	28	\$855	\$941
AS-SHL1-3666-??	36	66	28	\$862	\$948
AS-SHL1-3672-??	36	72	28	\$871	\$958
AS-SHL1-3678-??	36	78	28	\$878	\$965
AS-SHL1-3684-??	36	84	28	\$884	\$973

- Height adjustable base and worksurface specified separately.
- Edges are only available with DeskMakers standard 2MM PVC edgebanding.
- Includes levelers.
- Modesty inset 4" from front of desk.

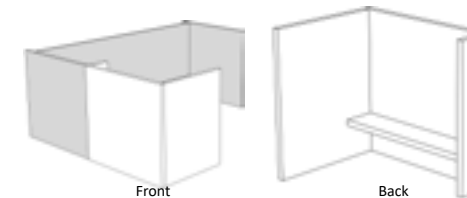
breakfront desk shell



Model Number	Depth	Width	Height	T1	T2
30" deep					
AS-SHL2-3060-??	30	60	28	\$833	\$916
AS-SHL2-3066-??	30	66	28	\$839	\$923
AS-SHL2-3072-??	30	72	28	\$922	\$1,014
AS-SHL2-3078-??	30	78	28	\$928	\$1,021
AS-SHL2-3084-??	30	84	28	\$1,008	\$1,109
36" deep					
AS-SHL2-3660-??	36	60	28	\$874	\$961
AS-SHL2-3666-??	36	66	28	\$880	\$968
AS-SHL2-3672-??	36	72	28	\$963	\$1,059
AS-SHL2-3678-??	36	78	28	\$1,009	\$1,110
AS-SHL2-3684-??	36	84	28	\$1,049	\$1,154

- Height adjustable base and worksurface specified separately.
- Edges are only available with DeskMakers standard 2MM PVC edgebanding.
- Includes levelers.
- Modesty is inset 4" from front of desk. To upgrade inset modesty panel to metallic silver, add OP-FMOD-SLV for \$1061.

return shell

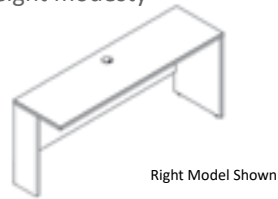


Model Number	Depth	Width	Height	Top Size (specified separately)	T1	T2	
AS-RSHL-2318-L-??	AS-RSHL-2318-R-??	23	19	28	24x18*	\$513	\$564
AS-RSHL-2324-L-??	AS-RSHL-2324-R-??	23	25	28	24x24*	\$518	\$570
AS-RSHL-2330-L-??	AS-RSHL-2330-R-??	23	31	28	24x30*	\$662	\$729
AS-RSHL-2336-L-??	AS-RSHL-2336-R-??	23	35	28	24x36	\$808	\$889
AS-RSHL-2342-L-??	AS-RSHL-2342-R-??	23	43	28	24x42	\$814	\$896
AS-RSHL-2348-L-??	AS-RSHL-2348-R-??	23	49	28	24x48	\$821	\$903
AS-RSHL-2354-L-??	AS-RSHL-2354-R-??	23	55	28	24x54	\$826	\$908
AS-RSHL-2360-L-??	AS-RSHL-2360-R-??	23	61	28	24x60	\$831	\$914

- Return shell only available in 24" depth. Can be paired with either style of desk shell. Cannot stand separately.
- Height adjustable base and worksurface specified separately. Smallest sizes * may be used with L-shaped tops and bases. See Hover Pricebook for options.
- Edges are only available with DeskMakers standard 2MM PVC edgebanding.
- Includes levelers.

return shell

3/4 height modesty

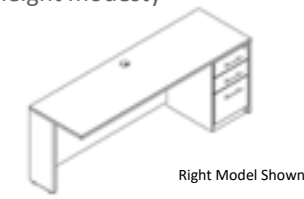


Model Number	Depth	Width	Height	T1	T2	
19" deep						
Left Model	Right Model					
AS-RTSH-1930-L-T?-A1	AS-RTSH-1930-R-T?-A1	19	30	29	\$747	\$822
AS-RTSH-1936-L-T?-A1	AS-RTSH-1936-R-T?-A1	19	36	29	\$757	\$833
AS-RTSH-1942-L-T?-A1	AS-RTSH-1942-R-T?-A1	19	42	29	\$764	\$841
AS-RTSH-1948-L-T?-A1	AS-RTSH-1948-R-T?-A1	19	48	29	\$815	\$896
AS-RTSH-1954-L-T?-A1	AS-RTSH-1954-R-T?-A1	19	54	29	\$884	\$972
AS-RTSH-1960-L-T?-A1	AS-RTSH-1960-R-T?-A1	19	60	29	\$944	\$1,039
AS-RTSH-1966-L-T?-A1	AS-RTSH-1966-R-T?-A1	19	66	29	\$997	\$1,096
AS-RTSH-1972-L-T?-A1	AS-RTSH-1972-R-T?-A1	19	72	29	\$1,018	\$1,119
24" deep						
Left Model	Right Model					
AS-RTSH-2430-L-T?-A1	AS-RTSH-2430-R-T?-A1	24	30	29	\$877	\$965
AS-RTSH-2436-L-T?-A1	AS-RTSH-2436-R-T?-A1	24	36	29	\$885	\$974
AS-RTSH-2442-L-T?-A1	AS-RTSH-2442-R-T?-A1	24	42	29	\$905	\$996
AS-RTSH-2448-L-T?-A1	AS-RTSH-2448-R-T?-A1	24	48	29	\$923	\$1,016
AS-RTSH-2454-L-T?-A1	AS-RTSH-2454-R-T?-A1	24	54	29	\$985	\$1,084
AS-RTSH-2460-L-T?-A1	AS-RTSH-2460-R-T?-A1	24	60	29	\$1,042	\$1,146
AS-RTSH-2466-L-T?-A1	AS-RTSH-2466-R-T?-A1	24	66	29	\$1,096	\$1,206
AS-RTSH-2472-L-T?-A1	AS-RTSH-2472-R-T?-A1	24	72	29	\$1,113	\$1,225

- Standard with 3/4 height modesty panel and one half panel (12") support panel.
- For full modesty panel, add OP-LMDP-FULL for \$164.
- Grommet standard in position 2 of top and modesty panel.

return with box/box/file

full height modesty

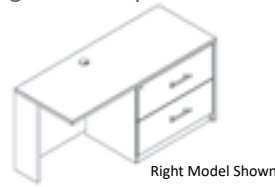


Model Number	Depth	Width	Height	T1	T2	
19" deep						
Left Model	Right Model					
AS-RBBF-1930-L-T?-A1	AS-RBBF-1930-R-T?-A1	19	30	29	\$1,481	\$1,629
AS-RBBF-1936-L-T?-A1	AS-RBBF-1936-R-T?-A1	19	36	29	\$1,489	\$1,638
AS-RBBF-1942-L-T?-A1	AS-RBBF-1942-R-T?-A1	19	42	29	\$1,498	\$1,647
AS-RBBF-1948-L-T?-A1	AS-RBBF-1948-R-T?-A1	19	48	29	\$1,548	\$1,703
AS-RBBF-1954-L-T?-A1	AS-RBBF-1954-R-T?-A1	19	54	29	\$1,619	\$1,781
AS-RBBF-1960-L-T?-A1	AS-RBBF-1960-R-T?-A1	19	60	29	\$1,676	\$1,844
24" deep						
Left Model	Right Model					
AS-RBBF-2430-L-T?-A1	AS-RBBF-2430-R-T?-A1	24	30	29	\$1,609	\$1,770
AS-RBBF-2436-L-T?-A1	AS-RBBF-2436-R-T?-A1	24	36	29	\$1,619	\$1,781
AS-RBBF-2442-L-T?-A1	AS-RBBF-2442-R-T?-A1	24	42	29	\$1,638	\$1,802
AS-RBBF-2448-L-T?-A1	AS-RBBF-2448-R-T?-A1	24	48	29	\$1,657	\$1,822
AS-RBBF-2454-L-T?-A1	AS-RBBF-2454-R-T?-A1	24	54	29	\$1,720	\$1,892
AS-RBBF-2460-L-T?-A1	AS-RBBF-2460-R-T?-A1	24	60	29	\$1,774	\$1,951

- Standard with full modesty panel and one half panel (12") support panel.
- For 10" modesty panel with finished pedestal back, add OP-LMDP-10 for \$140.
- Grommet standard in position 2 of top and modesty panel.
- To switch from a Box/Box/File pedestal to a File/File pedestal, add OP-PEDL-09 for no additional charge.

return with 32" wide lateral file

full height modesty

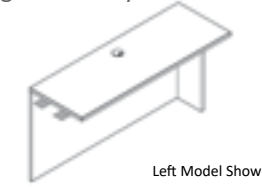


Model Number	Depth	Width	Height	T1	T2	
19" deep						
Left Model	Right Model					
AS-RTLF-1948-L-T?-A1	AS-RTLF-1948-R-T?-A1	19	48	29	\$1,914	\$2,106
AS-RTLF-1954-L-T?-A1	AS-RTLF-1954-R-T?-A1	19	54	29	\$1,983	\$2,182
AS-RTLF-1960-L-T?-A1	AS-RTLF-1960-R-T?-A1	19	60	29	\$2,042	\$2,247
AS-RTLF-1966-L-T?-A1	AS-RTLF-1966-R-T?-A1	19	66	29	\$2,117	\$2,329
AS-RTLF-1972-L-T?-A1	AS-RTLF-1972-R-T?-A1	19	72	29	\$2,155	\$2,370
24" deep						
Left Model	Right Model					
AS-RTLF-2448-L-T?-A1	AS-RTLF-2448-R-T?-A1	24	48	29	\$2,024	\$2,226
AS-RTLF-2454-L-T?-A1	AS-RTLF-2454-R-T?-A1	24	54	29	\$2,086	\$2,295
AS-RTLF-2460-L-T?-A1	AS-RTLF-2460-R-T?-A1	24	60	29	\$2,142	\$2,357
AS-RTLF-2466-L-T?-A1	AS-RTLF-2466-R-T?-A1	24	66	29	\$2,242	\$2,466
AS-RTLF-2472-L-T?-A1	AS-RTLF-2472-R-T?-A1	24	72	29	\$2,279	\$2,507

- Standard with full modesty panel and one half panel (12") support panel.
- Grommet standard in position 2 of top and modesty panel.
- Letter filing is two rows front to back; legal filing is side to side.
- For 10" modesty panel with finished pedestal back, add OP-LMDP-10 for \$140.

bridge

full height modesty



Model Number	Depth	Width	Height	T1	T2	
19" deep						
Left Model	Right Model					
AS-BRDG-1924-L-T?-A1	AS-BRDG-1924-R-T?-A1	19	24	29	\$676	\$743
AS-BRDG-1930-L-T?-A1	AS-BRDG-1930-R-T?-A1	19	30	29	\$684	\$752
AS-BRDG-1936-L-T?-A1	AS-BRDG-1936-R-T?-A1	19	36	29	\$690	\$759
AS-BRDG-1942-L-T?-A1	AS-BRDG-1942-R-T?-A1	19	42	29	\$722	\$794
AS-BRDG-1948-L-T?-A1	AS-BRDG-1948-R-T?-A1	19	48	29	\$746	\$821
AS-BRDG-1954-L-T?-A1	AS-BRDG-1954-R-T?-A1	19	54	29	\$832	\$915
AS-BRDG-1960-L-T?-A1	AS-BRDG-1960-R-T?-A1	19	60	29	\$901	\$991
24" deep						
Left Model	Right Model					
AS-BRDG-2424-L-T?-A1	AS-BRDG-2424-R-T?-A1	24	24	29	\$707	\$777
AS-BRDG-2430-L-T?-A1	AS-BRDG-2430-R-T?-A1	24	30	29	\$716	\$788
AS-BRDG-2436-L-T?-A1	AS-BRDG-2436-R-T?-A1	24	36	29	\$729	\$802
AS-BRDG-2442-L-T?-A1	AS-BRDG-2442-R-T?-A1	24	42	29	\$761	\$838
AS-BRDG-2448-L-T?-A1	AS-BRDG-2448-R-T?-A1	24	48	29	\$784	\$862
AS-BRDG-2454-L-T?-A1	AS-BRDG-2454-R-T?-A1	24	54	29	\$881	\$969
AS-BRDG-2460-L-T?-A1	AS-BRDG-2460-R-T?-A1	24	60	29	\$960	\$1,056

- Standard with full modesty panel and one half panel (12") support panel.
- Bridges ship unassembled to save space.
- Grommet standard in position 2 of top and modesty panel.
- For 10" modesty panel with finished pedestal back, add OP-LMDP-10 for \$140.
- Must be attached to stationary credenza or desk - cannot support itself.

combination pedestal

base shroud with box/file



Right Model Shown

Model Number	Depth	Width	Height	T1	T2
Left Model					
AS-SBF2-2522-L-??	25	21-5/8	22-9/16	\$1,553	\$1,708
AS-SBF2-3022-L-??	30	21-5/8	22-9/16	\$1,676	\$1,844
AS-SBF2-3622-L-??	36	21-5/8	22-9/16	\$1,875	\$2,062
Right Model					
AS-SBF2-2522-R-??	25	21-5/8	22-9/16	\$1,553	\$1,708
AS-SBF2-3022-R-??	30	21-5/8	22-9/16	\$1,676	\$1,844
AS-SBF2-3622-R-??	36	21-5/8	22-9/16	\$1,875	\$2,062

- Height adjustable base and worksurface specified separately.
- Pedestal is finished on all sides.
- Includes levelers and a hinged door.
- Lock standard on Box/File.

box/file pedestal

Model Number	Depth	Width	Height	T1	T2
SS-SBFL-1816-??	17-3/4	15-3/4	22-9/16	\$1,052	\$1,157
SS-SBFL-2216-??	21-3/4	15-3/4	22-9/16	\$1,125	\$1,238

- Pedestal is finished on all sides.
- Includes levelers.
- Lock standard.

skinny box/file pedestal

Model Number	Depth	Width	Height	T1	T2
SS-SBFL-1812-??	17-3/4	12	22-9/16	\$1,016	\$1,118
SS-SBFL-2212-??	21-3/4	12	22-9/16	\$1,089	\$1,198

- Pedestal is finished on all sides.
- Includes levelers.
- Lock standard.

skinny box/box/file pedestal

Model Number	Depth	Width	Height	T1	T2
SS-SBBF-1812-??	17-3/4	12	28	\$1,112	\$1,223
SS-SBBF-2212-??	21-3/4	12	28	\$1,192	\$1,311

- Pedestal is finished on all sides. Top of pedestal is inset.
- Includes levelers.
- Lock standard.

box/lateral pedestal

Model Number	Depth	Width	Height	T1	T2
19" deep					
AS-BLFL-1932-??	19	32	22-9/16	\$1,415	\$1,556
AS-BLFL-1936-??	19	36	22-9/16	\$1,581	\$1,739
24" deep					
AS-BLFL-2532-??	25	32	22-9/16	\$1,527	\$1,680
AS-BLFL-2536-??	25	36	22-9/16	\$1,710	\$1,881

- Pedestal is finished on all sides.
- Includes levelers.
- Lock standard.
- Lateral file drawer allows for two rows front to back legal or letter filing or one row of side to side legal filing.

lateral/lateral cabinet



Model Number	Depth	Width	Height	T1	T2
19" deep					
SS-LF2D-1932-??	19	32	29	\$1,366	\$1,503
SS-LF2D-1929-??	19	36	29	\$1,449	\$1,594
24" deep					
SS-LF2D-2432-??	24	32	29	\$1,464	\$1,610
SS-LF2D-2429-??	24	36	29	\$1,526	\$1,679

- Adjustable internal bars allow for two rows front-to-back, letter or legal size hanging files.
- Units have anti-tip safety mechanism.
- Pedestal is finished on all sides.
- Includes levelers.
- Lock standard.

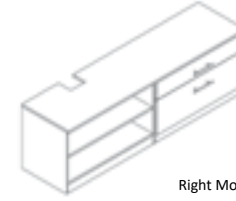
open storage cabinet



Model Number	Depth	Width	Height	T1	T2
19" deep					
AS-BKC2-1930-??	19	30	22-9/16	\$1,395	\$1,535
AS-BKC2-1936-??	19	36	22-9/16	\$1,557	\$1,713
24" deep					
AS-BKC2-2530-??	25	30	22-9/16	\$1,496	\$1,645
AS-BKC2-2536-??	25	36	22-9/16	\$1,669	\$1,836

- Includes adjustable glides.

open storage & box/lateral credenza cabinet

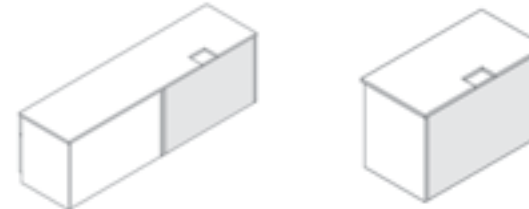


Right Model Shown

Model Number	Depth	Width	Height	T1	T2
19" deep					
Left Model		Right Model			
AS-BLB2-1962-L-??		AS-BLB2-1962-R-??	19	62	22-9/16
AS-BLB2-1972-L-??		AS-BLB2-1972-R-??	19	72	22-9/16
24" deep					
Left Model		Right Model			
AS-BLB2-2562-L-??		AS-BLB2-2562-R-??	25	62	22-9/16
AS-BLB2-2572-L-??		AS-BLB2-2572-R-??	25	72	22-9/16

- Includes levelers.
- Lock standard on box lateral cabinet.
- Lateral file drawer allows for two rows front to back legal or letter filing, or one row of side to side legal filing.

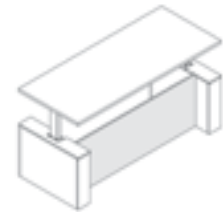
removable back panel



Model Number	Width	Height	T1	T2
AS-BCK2-2230-??	30	22	\$253	\$279
AS-BCK2-2236-??	36	22	\$270	\$297

- Ships unattached. Includes mounting hardware.

fixed modesty panel - for use with two base shrouds

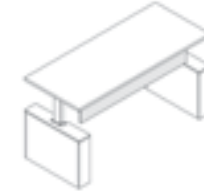


Model Number	Worksurface Length	Width	Height	T1	T2	H1
22-9/16" high						
AS-FXMD-2330-??	48	30	21-3/4	\$279	\$307	\$468
AS-FXMD-2336-??	54	36	21-3/4	\$293	\$322	\$493
AS-FXMD-2342-??	60	42	21-3/4	\$308	\$339	\$520
AS-FXMD-2348-??	66	48	21-3/4	\$329	\$362	\$554
AS-FXMD-2354-??	72	54	21-3/4	\$352	\$387	\$593
AS-FXMD-2360-??	78	60	21-3/4	\$381	\$420	\$642
AS-FXMD-2366-??	84	66	21-3/4	\$410	\$451	\$690
22-9/16" high						
AS-FXM2-2344-??	48	44	22-9/16	\$308	\$339	\$520
AS-FXM2-2350-??	54	50	22-9/16	\$329	\$362	\$554
AS-FXM2-2356-??	60	56	22-9/16	\$352	\$387	\$593
AS-FXM2-2362-??	66	62	22-9/16	\$381	\$420	\$642
AS-FXM2-2368-??	72	68	22-9/16	\$410	\$451	\$690
AS-FXM2-2374-??	78	74	22-9/16	\$455	\$500	\$766
AS-FXM2-2380-??	84	80	22-9/16	\$504	\$554	\$849



- Grain runs horizontally on all modesty panels.
 - Ships unattached. Includes mounting hardware.

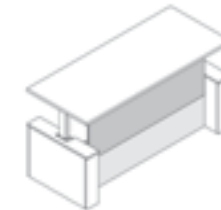
hanging modesty panel - for use with two base shrouds



Model Number	Worksurface Length	Width	Height	T1	T2	H1
12" high						
AS-HGMD-1228-??	48	28	12	\$166	\$183	\$279
AS-HGMD-1234-??	54	34	12	\$175	\$192	\$292
AS-HGMD-1240-??	60	40	12	\$183	\$201	\$308
AS-HGMD-1246-??	66	46	12	\$190	\$209	\$320
AS-HGMD-1252-??	72	52	12	\$208	\$229	\$351
AS-HGMD-1258-??	78	58	12	\$225	\$248	\$379
AS-HGMD-1264-??	84	64	12	\$242	\$266	\$407

- Grain runs horizontally on all modesty panels.
 - Ships unattached. Includes mounting hardware.

hanging modesty panel - for use with two base shrouds



Model Number	Worksurface Length	Width	Height	T1	T2	H1
Inset Modesty						
AS-HGMD-2428-??	48	28	23-7/8	\$272	\$299	\$456
AS-HGMD-2434-??	54	34	23-7/8	\$287	\$316	\$483
AS-HGMD-2440-??	60	40	23-7/8	\$303	\$333	\$510
AS-HGMD-2446-??	66	46	23-7/8	\$324	\$356	\$545
AS-HGMD-2452-??	72	52	23-7/8	\$343	\$378	\$579
AS-HGMD-2458-??	78	58	23-7/8	\$374	\$412	\$630
AS-HGMD-2464-??	84	64	23-7/8	\$403	\$443	\$679

- Grain runs horizontally on all modesty panels.
 - Ships unattached. Includes mounting hardware.

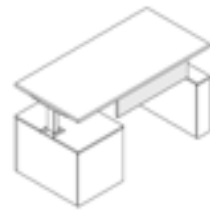
fixed modesty panel - for use with one base shroud and combination pedestal



Model Number	Worksurface Length	Width	Height	T1	T2	H1
22-9/16" high						
AS-FXMD-2327-??	60	26 3/8	21-3/4	\$272	\$299	\$456
AS-FXMD-2333-??	66	32 3/8	21-3/4	\$287	\$316	\$483
AS-FXMD-2339-??	72	38 3/8	21-3/4	\$303	\$333	\$510
AS-FXMD-2345-??	78	44 3/8	21-3/4	\$324	\$356	\$545
AS-FXMD-2351-??	84	50 3/8	21-3/4	\$343	\$378	\$579

- Grain runs horizontally on all modesty panels.
 - Ships unattached. Includes mounting hardware.

hanging modesty panel - for use with one base shroud and combination pedestal



Model Number	Worksurface Length	Width	Height	T1	T2	H1
12" high						
AS-HGMD-1225-??	60	25	12	\$163	\$180	\$277
AS-HGMD-1231-??	66	31	12	\$170	\$187	\$286
AS-HGMD-1237-??	72	37	12	\$182	\$200	\$305
AS-HGMD-1243-??	78	43	12	\$189	\$207	\$317
AS-HGMD-1249-??	84	49	12	\$200	\$220	\$338

- Grain runs horizontally on all modesty panels.
 - Ships unattached. Includes mounting hardware.

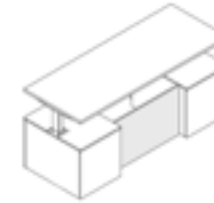
hanging modesty panel - for use with one base shroud and combination pedestal



Model Number	Worksurface Length	Width	Height	T1	T2	H1
24" high						
AS-HGMD-2425-??	60	25	23-7/8	\$269	\$296	\$452
AS-HGMD-2431-??	66	31	23-7/8	\$284	\$313	\$479
AS-HGMD-2437-??	72	37	23-7/8	\$297	\$327	\$501
AS-HGMD-2443-??	78	43	23-7/8	\$311	\$342	\$524
AS-HGMD-2449-??	84	49	23-7/8	\$336	\$370	\$566

- Grain runs horizontally on all modesty panels.
 - Ships unattached. Includes mounting hardware.

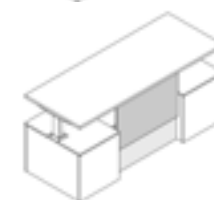
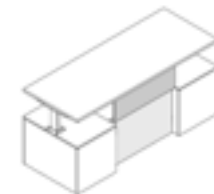
fixed modesty panel - for use with two combination pedestals



Model Number	Worksurface Length	Width	Height	T1	T2	H1
AS-FXMD-2329-??	78	28 3/4	21-3/4	\$279	\$307	\$468
AS-FXMD-2335-??	84	34 3/4	21-3/4	\$293	\$322	\$493

- Grain runs horizontally on all modesty panels.
 - Ships unattached. Includes mounting hardware.

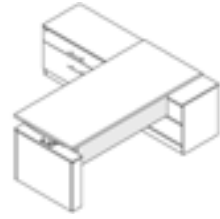
hanging modesty panel - for use with two combination pedestals



Model Number	Worksurface Length	Width	Height	T1	T2	H1
12" high						
AS-HGMD-1227-??	78	27	12	\$166	\$183	\$279
AS-HGMD-1233-??	84	33	12	\$175	\$192	\$292
24" high						
AS-HGMD-2428-??	78	28	23-7/8	\$272	\$299	\$456
AS-HGMD-2434-??	84	34	23-7/8	\$287	\$316	\$483

- Grain runs horizontally on all modesty panels.
 - Ships unattached. Includes mounting hardware.

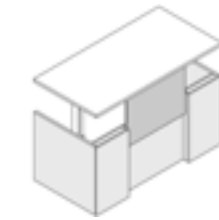
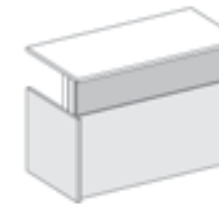
hanging modesty panel - for base shroud and peninsula credenza
12" high



Model Number	Worksurface Length	Width	Height	T1	T2	H1
19" deep peninsula credenza						
AS-HGMD-1229-??	60	29	12	\$166	\$183	\$279
AS-HGMD-1235-??	66	35	12	\$175	\$192	\$292
AS-HGMD-1241-??	72	41	12	\$183	\$201	\$308
AS-HGMD-1247-??	78	47	12	\$190	\$209	\$320
AS-HGMD-1253-??	84	53	12	\$208	\$229	\$351
24" deep peninsula credenza						
AS-HGMD-1224-??	60	24	12	\$162	\$178	\$274
AS-HGMD-1230-??	66	30	12	\$166	\$183	\$279
AS-HGMD-1236-??	72	36	12	\$175	\$192	\$292
AS-HGMD-1242-??	78	42	12	\$183	\$201	\$308
AS-HGMD-1248-??	84	48	12	\$190	\$209	\$320

- Grain runs horizontally on all modesty panels.
- Ships unattached. Includes mounting hardware.

hanging modesty panel - for use with desk shells



Model Number	Worksurface Length	Width	Height	T1	T2	H1
28" high for use on inline desk shells						
AS-HGMD-2853-??	60	53	28	\$490	\$539	\$825
AS-HGMD-2859-??	66	59	28	\$514	\$565	\$865
AS-HGMD-2865-??	72	65	28	\$538	\$591	\$905
AS-HGMD-2871-??	78	71	28	\$571	\$629	\$963
AS-HGMD-2877-??	84	77	28	\$605	\$666	\$1,019
28" high for use on inline & breakfront desk shells						
AS-HGMD-2053-??	60	53	20	\$327	\$359	\$548
AS-HGMD-2059-??	66	59	20	\$350	\$386	\$590
AS-HGMD-2065-??	72	65	20	\$374	\$412	\$631
AS-HGMD-2071-??	78	71	20	\$408	\$449	\$687
AS-HGMD-2077-??	84	77	20	\$442	\$486	\$744
28" high for use on inline & breakfront desk shells						
AS-HGMD-2824-??	60	24	28	\$417	\$458	\$702
AS-HGMD-2830-??	66	30	28	\$426	\$469	\$719
AS-HGMD-2836-??	72	36	28	\$442	\$486	\$744
AS-HGMD-2842-??	78	42	28	\$457	\$503	\$770
AS-HGMD-2848-??	84	48	28	\$477	\$525	\$803

- Grain runs horizontally on all modesty panels.
- Ships unattached. Includes mounting hardware.

wall mounted floating shelf - 16" high

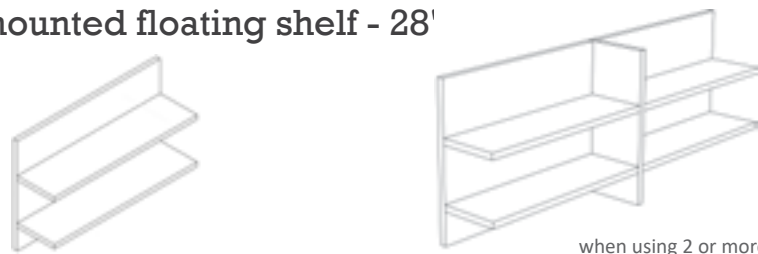


when using 2 or more shelves together, end cap SS-FLSH-END1 is recommended

Model Number	Depth	Width	Height	T1	T2
SS-FLSH-3016	12	30	16	\$693	\$762
SS-FLSH-3216	12	32	16	\$712	\$783
SS-FLSH-3616	12	36	16	\$742	\$817
SS-FLSH-4216	12	42	16	\$862	\$948
SS-FLSH-4816	12	48	16	\$907	\$998
SS-FLSH-5416	12	54	16	\$1,146	\$1,261
SS-FLSH-6016	12	60	16	\$1,385	\$1,524
SS-FLSH-6616	12	66	16	\$1,435	\$1,579
SS-FLSH-7216	12	72	16	\$1,485	\$1,634
SS-FLSH-7816	12	78	16	\$1,605	\$1,765
SS-FLSH-8416	12	84	16	\$1,724	\$1,897

- All 1-1/8" material. Weight capacity of 25 lbs. per piece.
- All units include hardware for mounting. Must be professionally installed. Multiple shelves should be connected using SS-FLSH-END1 for \$183 for additional stability. End cap will add 1 1/8" to length of run.
- When mounted adjacent to a wall mounted overhead cabinet, it is recommended to secure the 2 units together.

wall mounted floating shelf - 28"



when using 2 or more shelves together, end cap SS-FLSH-END2 is recommended

Model Number	Depth	Width	Height	T1	T2
SS-FLSH-3028	12	30	28	\$984	\$1,082
SS-FLSH-3228	12	32	28	\$1,011	\$1,112
SS-FLSH-3628	12	36	28	\$1,009	\$1,110
SS-FLSH-4228	12	42	28	\$1,256	\$1,382
SS-FLSH-4828	12	48	28	\$1,340	\$1,474
SS-FLSH-5428	12	54	28	\$1,654	\$1,819
SS-FLSH-6028	12	60	28	\$1,968	\$2,164
SS-FLSH-6628	12	66	28	\$1,993	\$2,192
SS-FLSH-7228	12	72	28	\$2,018	\$2,219
SS-FLSH-7828	12	78	28	\$2,265	\$2,492
SS-FLSH-8428	12	84	28	\$2,513	\$2,764

- All 1-1/8" material. Weight capacity of 25 lbs. per piece.
- All units include hardware for mounting. Must be professionally installed. Multiple shelves should be connected using SS-FLSH-END2 for \$275 for additional stability. End cap will add 1 1/8" to length of run.
- When mounted adjacent to a wall mounted overhead cabinet, it is recommended to secure the 2 units together.

cable tray



Model Number	Width	Length	Height	Price
AC-MGMT-TRAY-20	2 1/2	20	3 1/2	\$88
AC-MGMT-TRAY-32	2 1/2	32	3 1/2	\$108
AC-MGMT-TRAY-44	2 1/2	44	3 1/2	\$130
AC-MGMT-TRAY-56	2 1/2	56	3 1/2	\$199
AC-MGMT-TRAY-68	2 1/2	68	3 1/2	\$235

- Silver (Aluminum).
- Mounts under desktop with woodscrews (included).
- Low-profile wire tray ideal for use under height adjustable desks.

cable spine



Model Number	Color	Length	Price
AC-MGMT-CS50-BK	black	50"	\$140
AC-MGMT-CS50-SV	silver	50"	\$140
AC-MGMT-CS50-WT	white	50"	\$140

- Plastic material. Includes mounting bracket, and metal base plate. Links easily disconnect to adjust length.
- Links are 1 1/4" x 2-1/2".
- Appropriate for use with height adjustable or fixed height tables.

cable carrier



Model Number	Price
AC-MGMT-CBLC-BK	\$229

- Plastic material. Black or white finish.
- For use to run cords between a height adjustable desk and a trough or fixed return, mounts at both ends.
- Channel size is 1-1/2" x 1-1/2". 36" long.
- Includes brackets and installation screws.

flex wire manager



Model Number	Width	Length	Price
AC-MGMT-FLEX	1 1/2	5 3/8	\$18

- Price is for one unit.
- Secures with single screw.
- Grey plastic.

velcro wire manager



Model Number	Width	Length	Price
AC-MGMT-VELCRO	1 3/4	3 1/2	\$24

- Price is for one unit.
- Secures with double-sided tape.
- Black plastic and black velcro.

Please visit [Deskmakers.com](https://deskmakers.com) to view our current **Terms and Conditions**.

Please visit [Deskmakers.com](https://deskmakers.com) to view our current **Warranty**.

Showroom Locations

Los Angeles

DeskMakers Headquarters
6525 Flotilla Street
Commerce, CA 90040

DeskMakers

Phone: 323.264.2260 | Fax: 323.725.6960
www.deskmakers.com